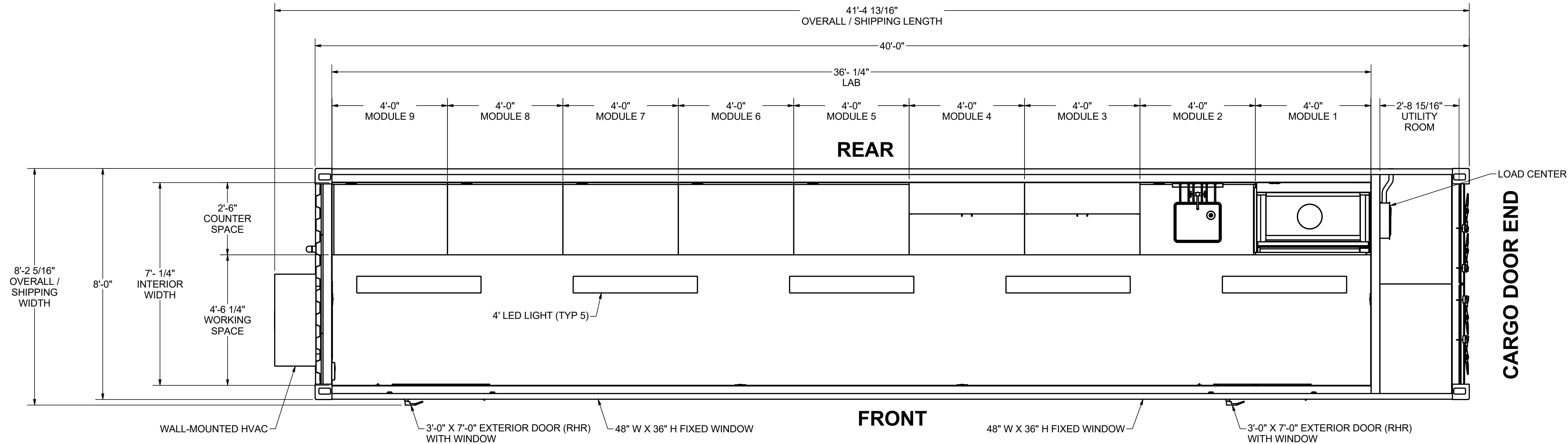


		FINISH SCHEDULE					
SPACE	MATERIALS	WALLS	CEILING	FLOOR	NOTES		
LAB	FRAMING	3-5/8" 20GA METAL STUD, 24" OC	3-5/8" 20GA METAL STUD, 24" OC	EXISTING CONTAINER PURLINS	N/A		
	INSULATION	R-15 MINERAL WOOL	R-15 MINERAL WOOL	N/A	N/A		
	SUBSURFACE	N/A	N/A	EXISTING 1-1/8" PLYWOOD	N/A		
UTILITY ROOM	SURFACE	22GA GALVANNEAL, PAINTED WHITE	22GA GALVANNEAL, PAINTED WHITE	SPRAY-ON SKID-RESISTANT	N/A		
	FRAMING	N/A	N/A	EXISTING CONTAINER PURLINS	N/A		
	INSULATION	N/A	N/A	N/A	N/A		
	SUBSURFACE	N/A	N/A	EXISTING 1-1/8" PLYWOOD	N/A		
	SURFACE	EXISTING CORRUGATION, PAINTED GRAY	EXISTING CORRUGATION, PAINTED GRAY	N/A	LAB WALL 22GA GALVANNEAL, PAINTED GRAY		



GENERAL ARRANGEMENT - 40 - PLAN VIEW
SCALE 1/2" = 1'-0"

HVAC DESIGN CONDITIONS:

APPLICABLE CODES: 2018 INTERNATIONAL ENERGY CONSERVATION CODE (IECC)*

*BASE CONFIGURATION INCLUDES BASE INSULATION VALUES AS SHOWN IN INTERIOR FINISH SCHEDULE. HVAC SIZING IS PER THESE VALUES AND SIZED PER 2018 IECC. INSULATION VALUES VARY BY LOCATION AND NEED TO BE REVIEWED WITH CUSTOMER. SOME STATES HAVE ADDITIONAL CODE REQUIREMENTS INCLUDING HEAT PUMP IN LIEU OF AIR CONDITIONER.

SUMMER :
OUTSIDE DRY BULB TEMPERATURE: 95°F / 90°F
OUTSIDE WET BULB TEMPERATURE: 70°F / 72°F
INSIDE DRY BULB TEMPERATURE: 75°F
INSIDE RELATIVE HUMIDITY: 45-95% (HUMIDISTAT SETTING)

WINTER :
OUTSIDE DRY BULB TEMPERATURE: 32°F
LAB INSIDE DRY BULB TEMPERATURE: 70°F

LAB HOOD:
COMPLIANT: ANSI Z9.5 COMPLIANT
LAB HOOD OPERATION (SASH STOP): 520 CFM (FACE VELOCITY: 100 FPM | 18" SASH OPENING)

COMMERCIAL ROOM VENTILATOR (CRV) :
SET POSITION: 8

WALL-MOUNTED HVAC EQUIPMENT SELECTION:

- MANUFACTURER: BARD
- MODEL NUMBER: W36ABDA10MPXXXE
- SPECIFICATIONS: W36AB = 3.0TON, 11EER, D = HOT-GAS-REHEAT DEHUMIDIFICATION, A = 208/240/1, 10 = 10.0 KW HEATER, M = COMMERCIAL VENTILATOR - ON/OFF, P = 2" PLEATED MERV 8 FILTER, X = BEIGE
- SUPPLY GRILLE MODEL NUMBER: SG-3 INCLUDES INDIVIDUALLY ADJUSTABLE VERTICAL AND HORIZONTAL BLADES .750 SPACING.

STRUCTURAL DESIGN LOADS:

APPLICABLE CODES: 2015 INTERNATIONAL BUILDING CODE

- RISK CATEGORY: II
- ROOF LIVE LOAD (LL_r): 30 PSF
- FLOOR LIVE LOAD (LL_f): 100 PSF
- GROUND SNOW LOAD (p_g): 30 PSF
 - EXPOSURE FACTOR (C_e): 1.0
 - THERMAL FACTOR (C_t): 1.2
 - SLOPE FACTOR (C_s): 1.0
 - FLAT ROOF SNOW LOAD (p_f): 25.2 PSF
 - DESIGN SNOW DUE TO DRIFTING/SLIDING SNOW: 0 PSF
- BASIC WIND SPEED AND EXPOSURE: 130 MPH, EXP C
 - CLOSED (G_C) = +/-0.18
 - EXPOSURE COEFFICIENT (K_z): 0.85 (AT MEAN ROOF HEIGHT)
 - WIND DIRECTIONALITY FACTOR (K_d): 0.85
 - TOPOGRAPHIC FACTOR (K_z): 1.0
 - VELOCITY PRESSURE (q_z): 31.2 PSF
- SEISMIC DESIGN CATEGORY B (S_s=2.500g; S₁=0.749g)
 - SITE CLASS D
 - ELF ANALYSIS
 - RESPONSE MODIFICATION COEFFICIENT: R = 3.0
 - SEISMIC COEFFICIENT: C_s = 0.333
 - BASE SHEAR: 6.97 KIP

ITEMS TO BE SITE INSTALLED:

THE FOLLOWING ITEMS ARE TO BE SITE INSTALLED AND SUBJECT TO LOCAL CODE COMPLIANCE:

- FOUNDATION AND CONNECTIONS** - CORNER BLOCKS UTILIZED FOR SITE TIE-DOWN CONNECTIONS. SITE CONTRACTOR IS RESPONSIBLE FOR TIE-DOWN CONNECTION DESIGN AND INSTALLATION.
- ELECTRICAL** - SINGLE POINT ELECTRICAL SHOWN ON DRAWINGS. SITE CONTRACTOR IS RESPONSIBLE FOR BUILDING ELECTRICAL FEEDERS TO BE INSTALLED FROM SITE UTILITIES.
- SITE RESTRICTIONS** - SITE CONTRACTOR IS RESPONSIBLE TO ENSURE BARRIER FREE ACCESSIBILITY TO BUILDING.
- LAB HOOD EXHAUST** - DUE TO SHIPPING RESTRICTIONS, LAB HOOD VENT IS SITE CONTRACTOR'S RESPONSIBILITY. MATERIALS WILL BE SHIPPED LOOSE INSIDE LAB INCLUDING HOOD, WIRE ROPES, AND FASTENING HARDWARE.

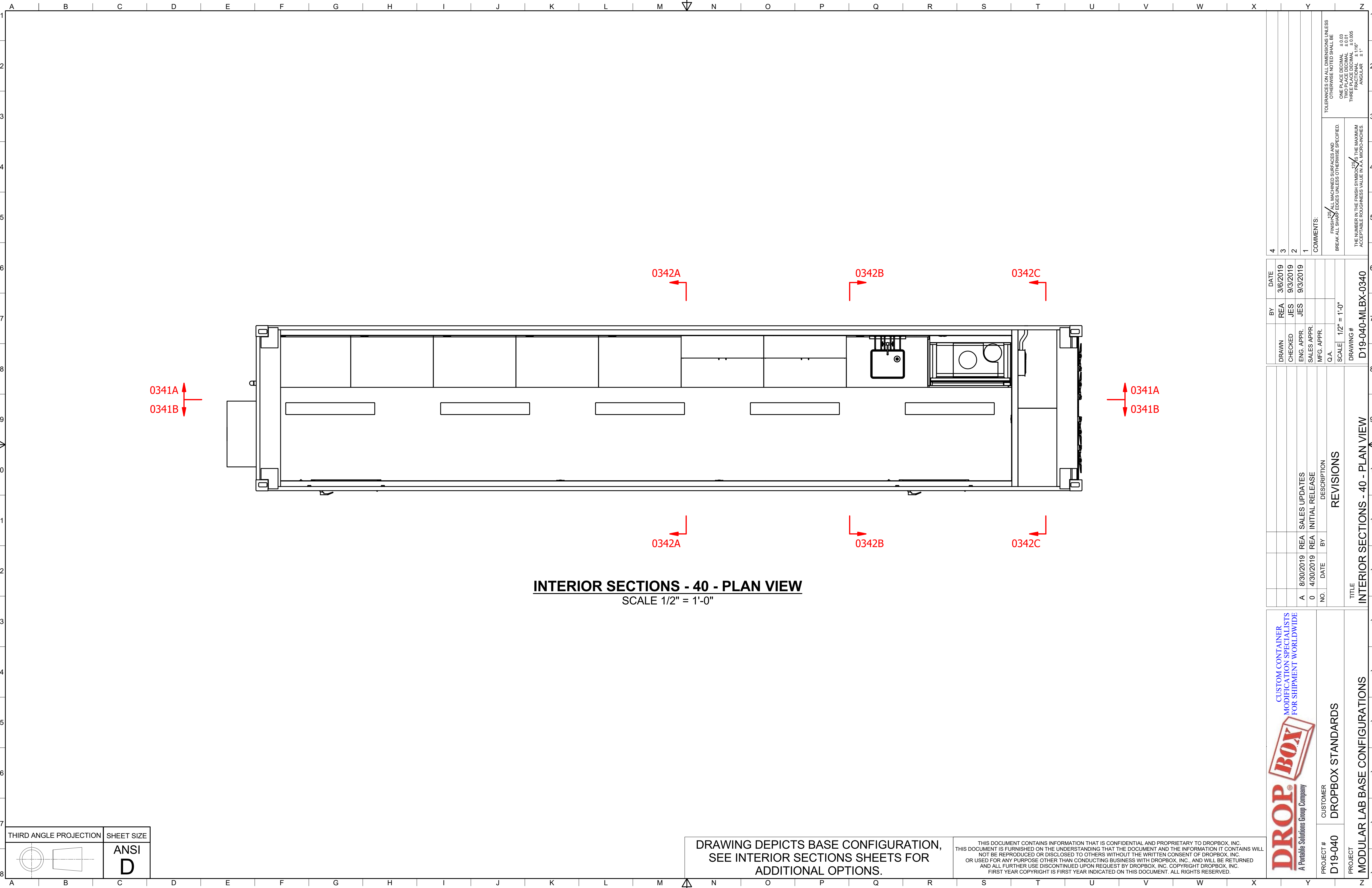
THIRD ANGLE PROJECTION	SHEET SIZE
	ANSI D

DRAWING DEPICTS BASE CONFIGURATION, SEE INTERIOR SECTIONS SHEETS FOR ADDITIONAL OPTIONS.

THIS DOCUMENT CONTAINS INFORMATION THAT IS CONFIDENTIAL AND PROPRIETARY TO DROPBOX, INC. THIS DOCUMENT IS FURNISHED ON THE UNDERSTANDING THAT THE DOCUMENT AND THE INFORMATION IT CONTAINS WILL NOT BE REPRODUCED OR DISCLOSED TO OTHERS WITHOUT THE WRITTEN CONSENT OF DROPBOX, INC. OR USED FOR ANY PURPOSE OTHER THAN CONDUCTING BUSINESS WITH DROPBOX, INC., AND WILL BE RETURNED AND ALL FURTHER USE DISCONTINUED UPON REQUEST BY DROPBOX, INC. COPYRIGHT DROPBOX, INC. FIRST YEAR COPYRIGHT IS FIRST YEAR INDICATED ON THIS DOCUMENT. ALL RIGHTS RESERVED.

TOLERANCES ON ALL DIMENSIONS UNLESS OTHERWISE NOTED SHALL BE: ONE PLACE DECIMAL ± 0.03 THREE PLACE DECIMAL ± 0.005 ANGULAR ± 1°			
COMMENTS:	FINISH ALL MACHINED SURFACES AND BREAK ALL SHARP EDGES UNLESS OTHERWISE SPECIFIED. THE NUMBER IN THE FINISH SYMBOL IS THE MAXIMUM ACCEPTABLE ROUGHNESS VALUE IN A.A. MICROINCHES.		
DATE	BY		
3/6/2019	REA		
9/3/2019	JES		
9/3/2019	JES		
8/30/2019	REA		
4/30/2019	REA		
NO.	DATE	BY	DESCRIPTION
A	8/30/2019	REA	SALES UPDATES
0	4/30/2019	REA	INITIAL RELEASE
REVISIONS			
SCALE 1/2" = 1'-0"			
DRAWING # D19-040-MLBX-0240			
TITLE GENERAL ARRANGEMENT - 40 - PLAN VIEW			
CUSTOMER DROPPBOX STANDARDS			
PROJECT D19-040			
PROJECT MODULAR LAB BASE CONFIGURATIONS			






INTERIOR SECTIONS - 40 - PLAN VIEW
SCALE 1/2" = 1'-0"

THIRD ANGLE PROJECTION	SHEET SIZE
	ANSI D

**DRAWING DEPICTS BASE CONFIGURATION,
SEE INTERIOR SECTIONS SHEETS FOR
ADDITIONAL OPTIONS.**

THIS DOCUMENT CONTAINS INFORMATION THAT IS CONFIDENTIAL AND PROPRIETARY TO DROPBOX, INC. THIS DOCUMENT IS FURNISHED ON THE UNDERSTANDING THAT THE DOCUMENT AND THE INFORMATION IT CONTAINS WILL NOT BE REPRODUCED OR DISCLOSED TO OTHERS WITHOUT THE WRITTEN CONSENT OF DROPBOX, INC. OR USED FOR ANY PURPOSE OTHER THAN CONDUCTING BUSINESS WITH DROPBOX, INC., AND WILL BE RETURNED AND ALL FURTHER USE DISCONTINUED UPON REQUEST BY DROPBOX, INC. COPYRIGHT DROPBOX, INC. FIRST YEAR COPYRIGHT IS FIRST YEAR INDICATED ON THIS DOCUMENT. ALL RIGHTS RESERVED.



 CUSTOMER: DROPBOX STANDARDS
 PROJECT: D19-040
 PROJECT: MODULAR LAB BASE CONFIGURATIONS

NO.		DATE	BY	DESCRIPTION
A	8/30/2019	REA	REA	SALES UPDATES
0	4/30/2019	REA	REA	INITIAL RELEASE

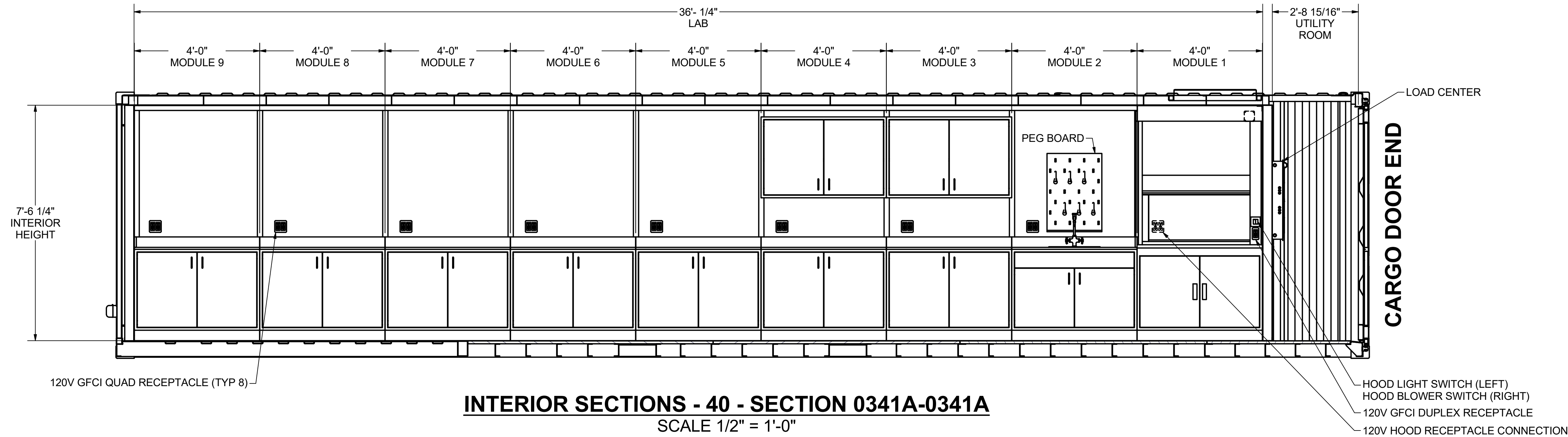
BY	DATE
REA	3/6/2019
JES	9/3/2019
JES	9/3/2019

DRAWN	4
CHECKED	3
ENG. APPR.	2
SALES APPR.	1
MFG. APPR.	
O.A.	
SCALE	1/2" = 1'-0"
DRAWING #	D19-040-MLBX-0340

COMMENTS:

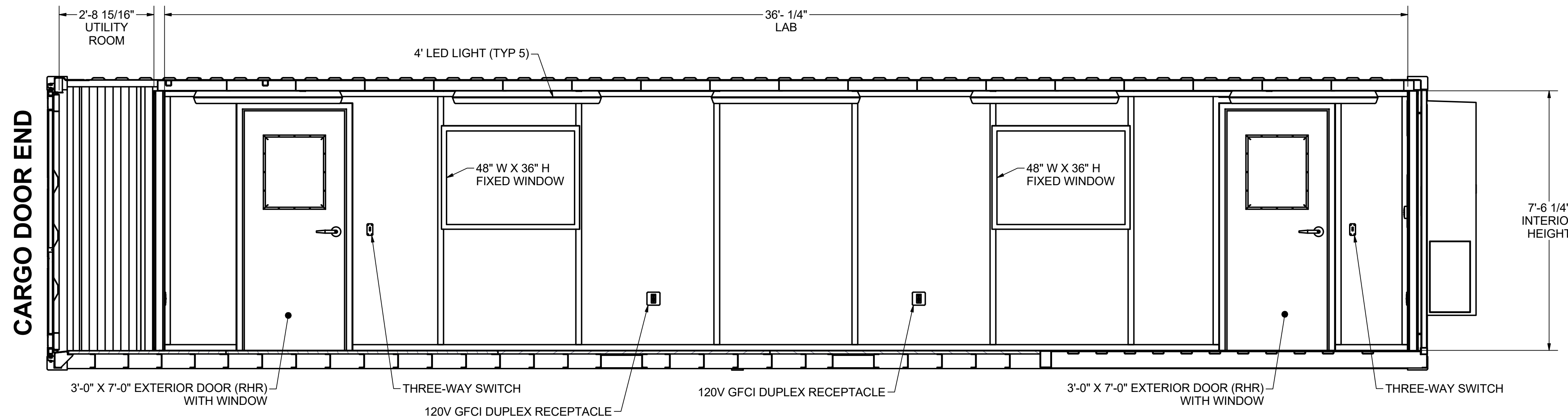
- FINISH ALL MACHINES SURFACES AND BREAK ALL SHARP EDGES UNLESS OTHERWISE SPECIFIED.
- THE NUMBER IN THE FINISH SYMBOL IS THE MAXIMUM ACCEPTABLE ROUGHNESS VALUE IN A.A. MICROINCHES.

TOLERANCES ON ALL DIMENSIONS UNLESS OTHERWISE NOTED SHALL BE:
 ONE PLACE DECIMAL ± 0.03
 TWO PLACE DECIMAL ± 0.005
 THREE PLACE DECIMAL ± 0.005
 ANGULAR ± 1°



INTERIOR SECTIONS - 40 - SECTION 0341A-0341A

SCALE 1/2" = 1'-0"



INTERIOR SECTIONS - 40 - SECTION 0341B-0341B

SCALE 1/2" = 1'-0"

DATE	3/6/2019
BY	REA
CHECKED	JES
ENG. APPR.	JES
SALES APPR.	
MFG. APPR.	
O.A.	
SCALE	1/2" = 1'-0"
DRAWING #	D19-040-MLBX-0341

NO.	DATE	BY	DESCRIPTION
A	8/30/2019	REA	SALES UPDATES
0	4/30/2019	REA	INITIAL RELEASE

REVISIONS

CUSTOM CONTAINER MODIFICATION SPECIALISTS FOR SHIPMENT WORLDWIDE

DROP BOX
A Portable Solutions Group Company

CUSTOMER: D19-040
PROJECT: MODULAR LAB BASE CONFIGURATIONS

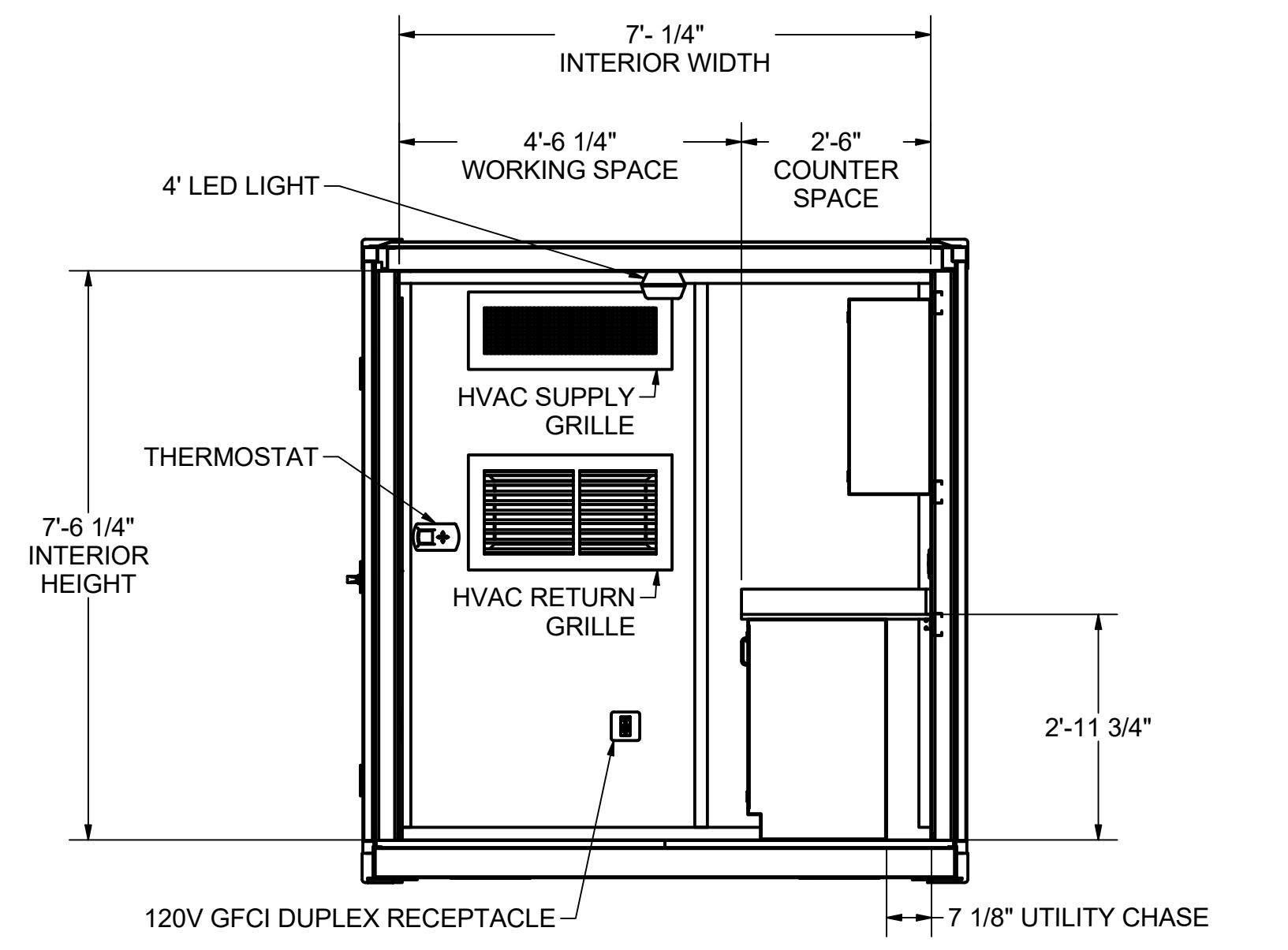
TOLERANCES ON ALL DIMENSIONS UNLESS OTHERWISE NOTED SHALL BE:
 ONE PLACE DECIMAL ± 0.03
 TWO PLACE DECIMAL ± 0.015
 THREE PLACE DECIMAL ± 0.005
 ANGULAR ± 1°

THIRD ANGLE PROJECTION

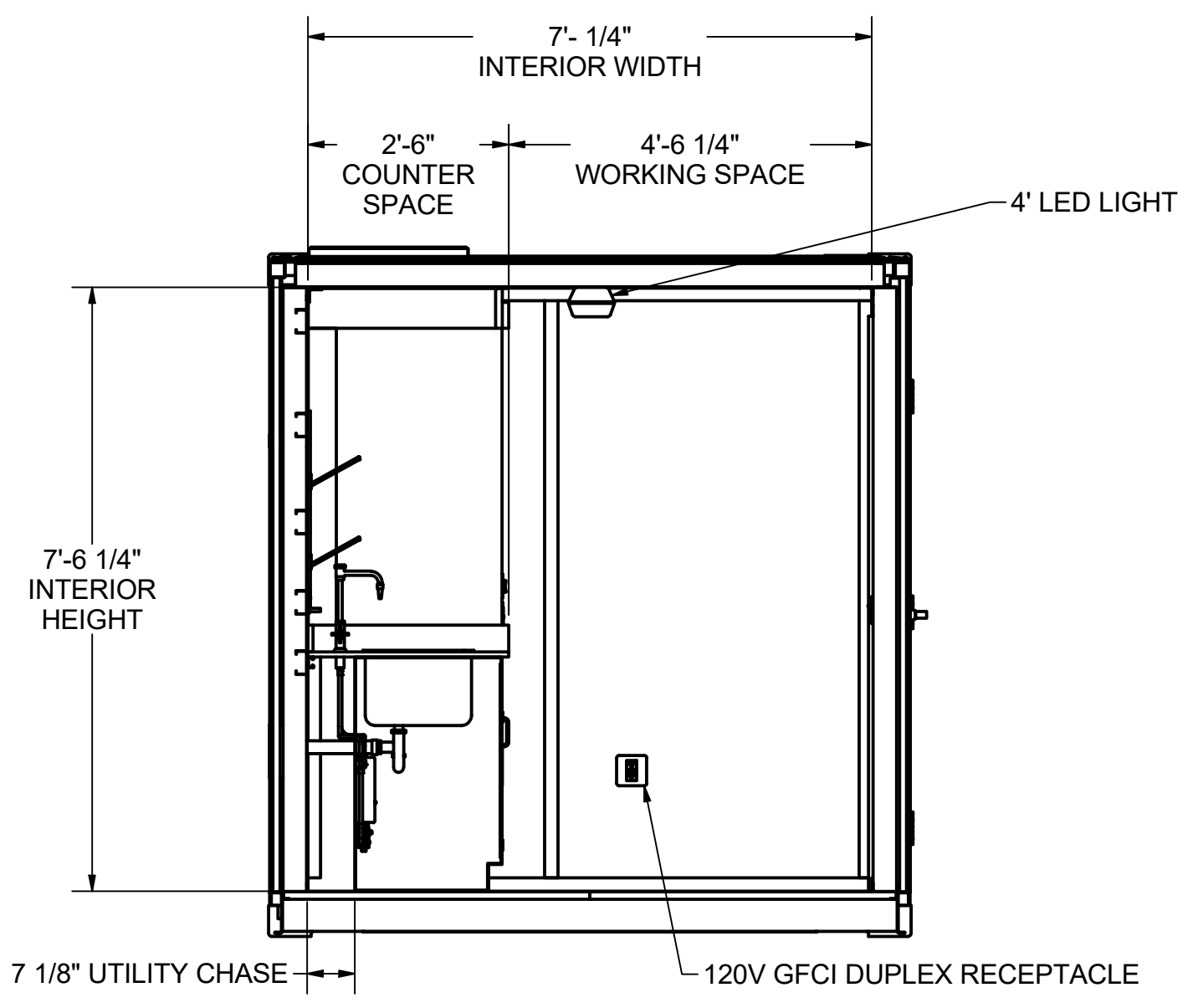
SHEET SIZE
ANSI D

DRAWING DEPICTS BASE CONFIGURATION, SEE INTERIOR SECTIONS SHEETS FOR ADDITIONAL OPTIONS.

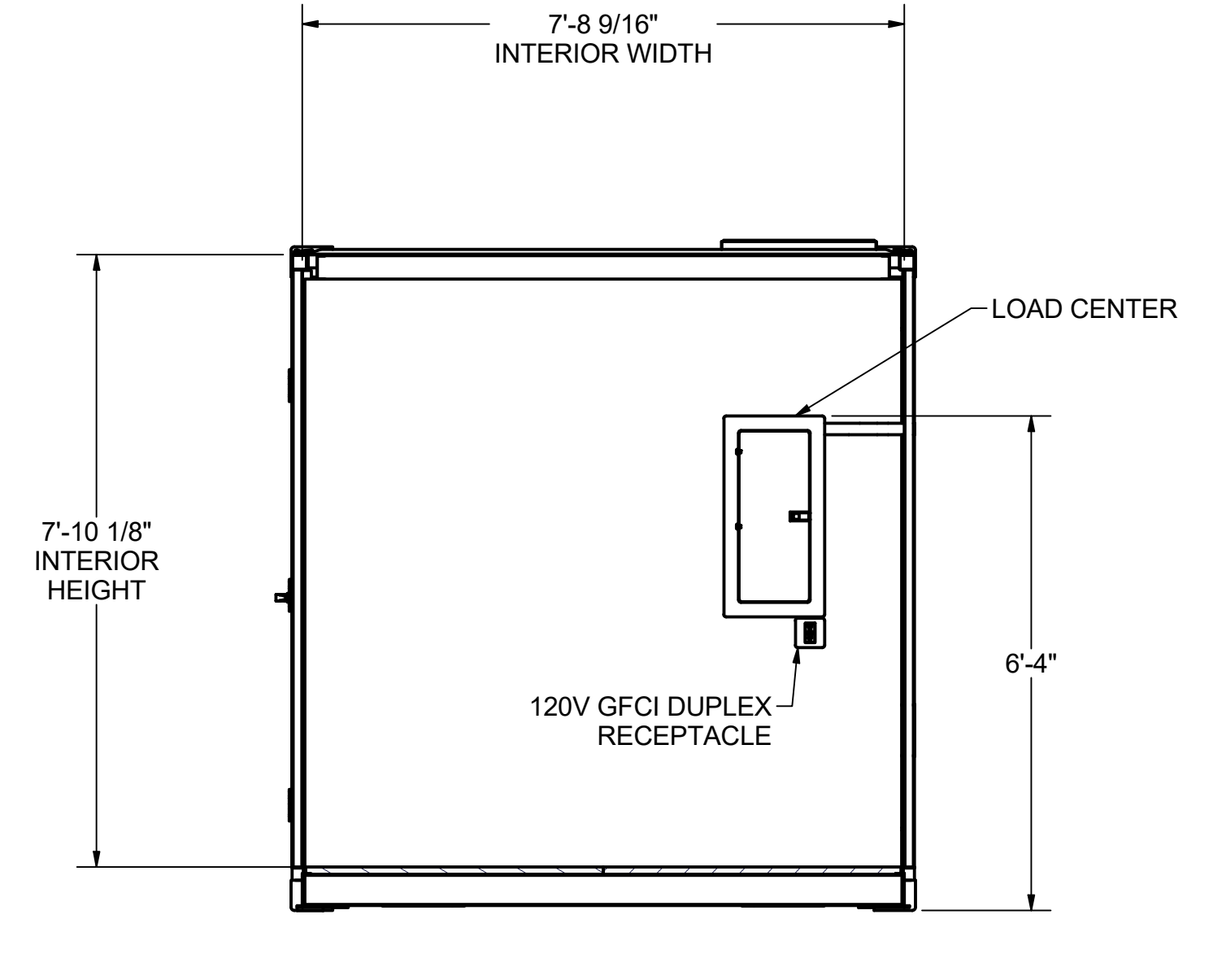
THIS DOCUMENT CONTAINS INFORMATION THAT IS CONFIDENTIAL AND PROPRIETARY TO DROPBOX, INC. THIS DOCUMENT IS FURNISHED ON THE UNDERSTANDING THAT THE DOCUMENT AND THE INFORMATION IT CONTAINS WILL NOT BE REPRODUCED OR DISCLOSED TO OTHERS WITHOUT THE WRITTEN CONSENT OF DROPBOX, INC. OR USED FOR ANY PURPOSE OTHER THAN CONDUCTING BUSINESS WITH DROPBOX, INC., AND WILL BE RETURNED AND ALL FURTHER USE DISCONTINUED UPON REQUEST BY DROPBOX, INC. COPYRIGHT DROPBOX, INC. FIRST YEAR COPYRIGHT IS FIRST YEAR INDICATED ON THIS DOCUMENT. ALL RIGHTS RESERVED.



INTERIOR SECTIONS - 40 - SECTION 0342A-0342A
SCALE 1/2" = 1'-0"



INTERIOR SECTIONS - 40 - SECTION 0342B-0342B
SCALE 1/2" = 1'-0"



INTERIOR SECTIONS - 40 - SECTION 0342C-0342C
SCALE 1/2" = 1'-0"

THIRD ANGLE PROJECTION	SHEET SIZE
	ANSI D

**DRAWING DEPICTS BASE CONFIGURATION,
SEE INTERIOR SECTIONS SHEETS FOR
ADDITIONAL OPTIONS.**

THIS DOCUMENT CONTAINS INFORMATION THAT IS CONFIDENTIAL AND PROPRIETARY TO DROPBOX, INC. THIS DOCUMENT IS FURNISHED ON THE UNDERSTANDING THAT THE DOCUMENT AND THE INFORMATION IT CONTAINS WILL NOT BE REPRODUCED OR DISCLOSED TO OTHERS WITHOUT THE WRITTEN CONSENT OF DROPBOX, INC. OR USED FOR ANY PURPOSE OTHER THAN CONDUCTING BUSINESS WITH DROPBOX, INC., AND WILL BE RETURNED AND ALL FURTHER USE DISCONTINUED UPON REQUEST BY DROPBOX, INC. COPYRIGHT DROPBOX, INC. FIRST YEAR COPYRIGHT IS FIRST YEAR INDICATED ON THIS DOCUMENT. ALL RIGHTS RESERVED.

DROPBOX
A Portable Solutions Group Company

CUSTOMER: DROPBOX STANDARDS

PROJECT # D19-040

PROJECT MODULAR LAB BASE CONFIGURATIONS

REVISIONS	
NO.	DESCRIPTION
A	8/30/2019 REA SALES UPDATES
0	4/30/2019 REA INITIAL RELEASE

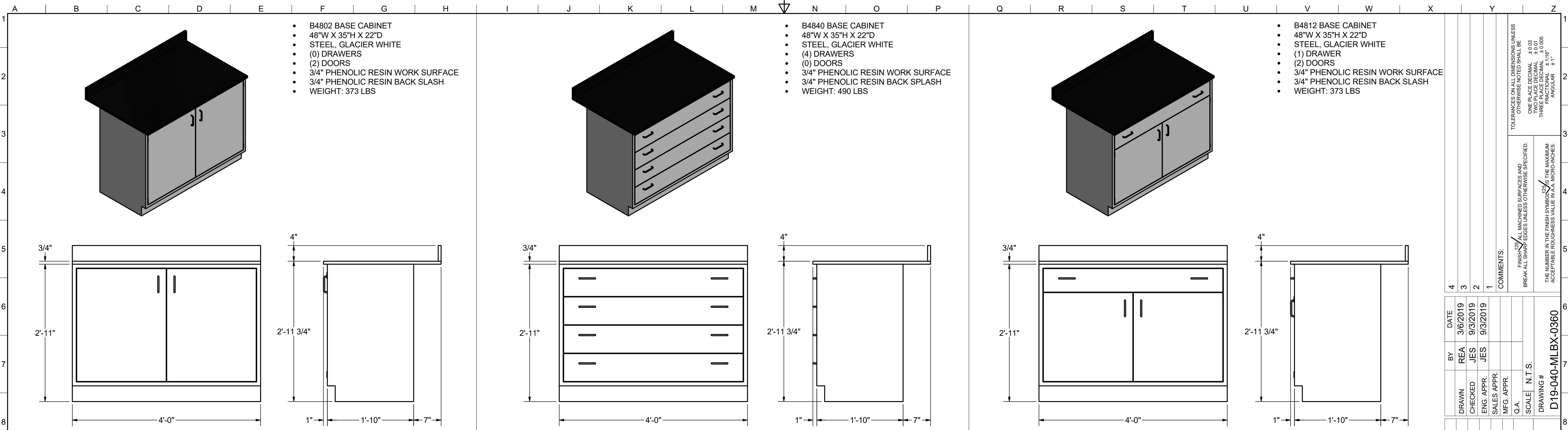
DATE	BY	DESCRIPTION
3/6/2019	REA	DRAWN
9/3/2019	JES	CHECKED
9/3/2019	JES	ENG. APPR.
		SALES APPR.
		MFG. APPR.
		O.A.

SCALE 1/2" = 1'-0"

DRAWING # D19-040-MLBX-0342

TOLERANCES ON ALL DIMENSIONS UNLESS OTHERWISE NOTED SHALL BE:
ONE PLACE DECIMAL ± 0.03
TWO PLACE DECIMAL ± 0.005
THREE PLACE DECIMAL ± 0.005
ANGULAR ± 1°

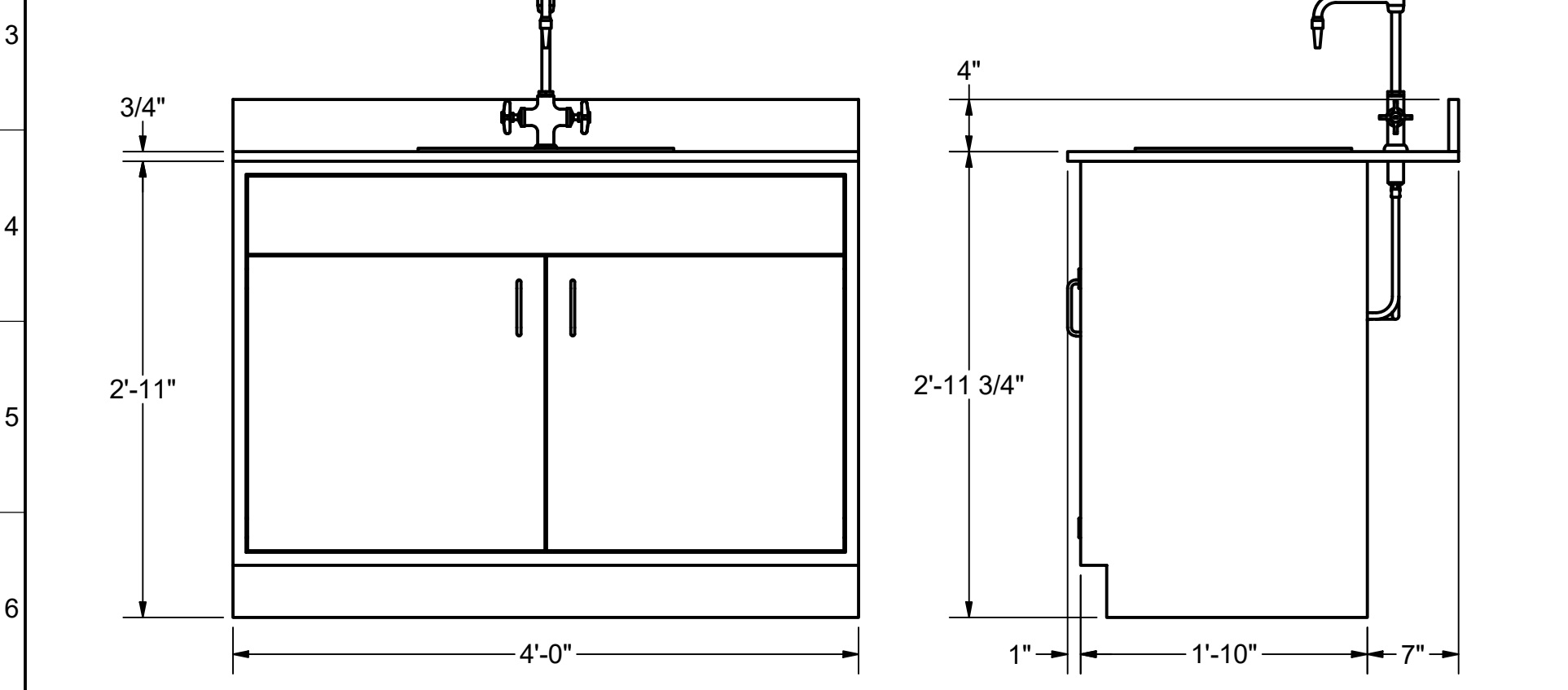
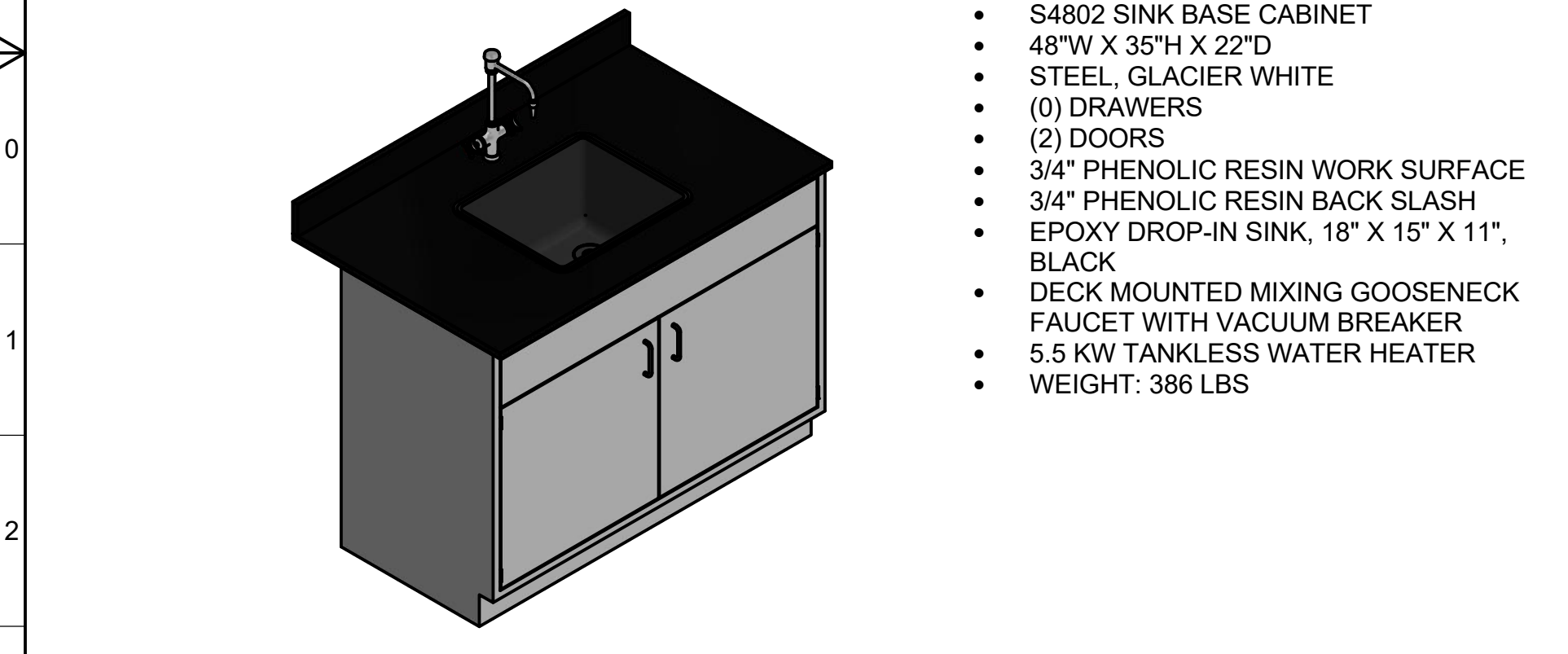
TITLE: INTERIOR SECTIONS - 40 - SECTION 0342A - C



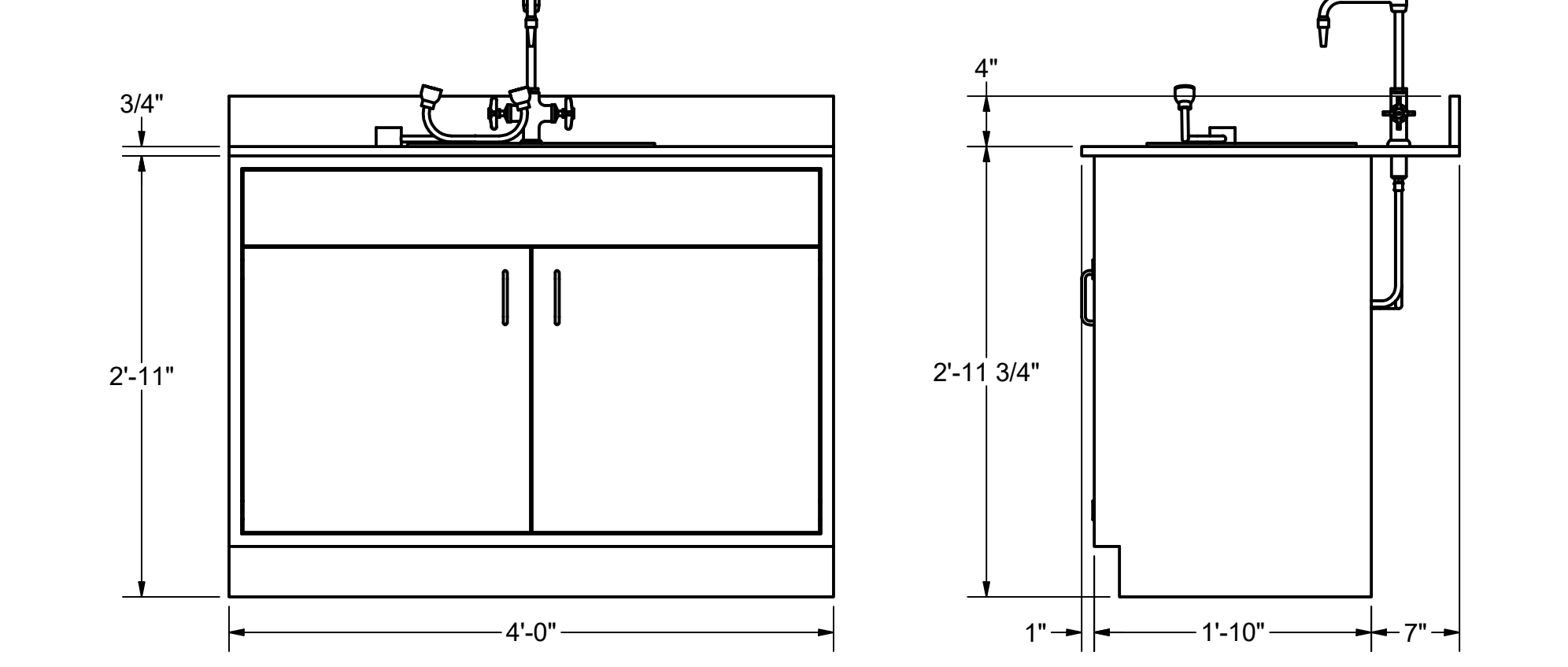
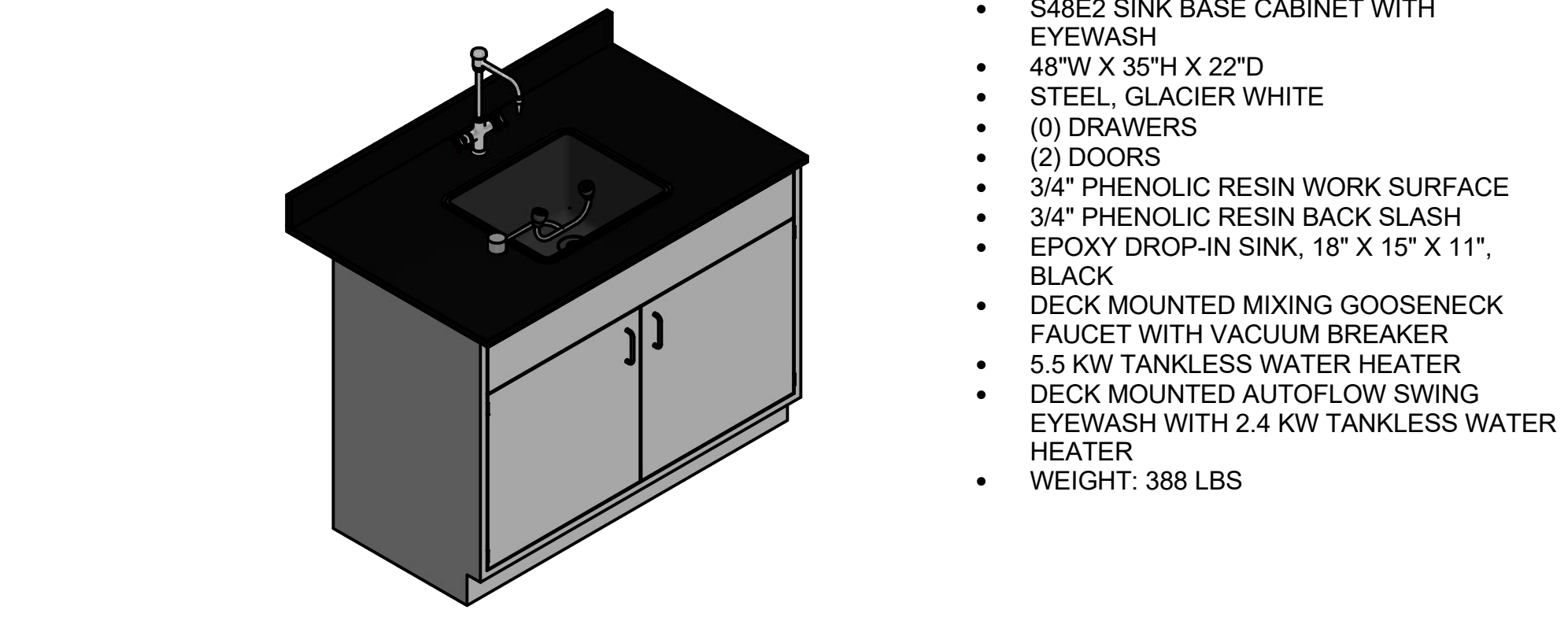
USED	QTY	DESCRIPTION
<input type="checkbox"/>	___	B4802 BASE CABINET

USED	QTY	DESCRIPTION
<input type="checkbox"/>	___	B4840 BASE CABINET

USED	QTY	DESCRIPTION
<input type="checkbox"/>	___	B4812 BASE CABINET



USED	QTY	DESCRIPTION
<input type="checkbox"/>	___	S4802 SINK BASE CABINET



USED	QTY	DESCRIPTION
<input type="checkbox"/>	___	S48E2 SINK BASE CABINET WITH EYEWASH

THIRD ANGLE PROJECTION

SHEET SIZE
ANSI D

THIS DOCUMENT CONTAINS INFORMATION THAT IS CONFIDENTIAL AND PROPRIETARY TO DROPBOX, INC. THIS DOCUMENT IS FURNISHED ON THE UNDERSTANDING THAT THE DOCUMENT AND THE INFORMATION IT CONTAINS WILL NOT BE REPRODUCED OR DISCLOSED TO OTHERS WITHOUT THE WRITTEN CONSENT OF DROPBOX, INC. OR USED FOR ANY PURPOSE OTHER THAN CONDUCTING BUSINESS WITH DROPBOX, INC., AND WILL BE RETURNED AND ALL FURTHER USE DISCONTINUED UPON REQUEST BY DROPBOX, INC. COPYRIGHT DROPBOX, INC. FIRST YEAR COPYRIGHT IS FIRST YEAR INDICATED ON THIS DOCUMENT. ALL RIGHTS RESERVED.

DATE	3/6/2019
BY	REA
CHECKED	JES
ENG. APPR.	JES
SALES APPR.	
MFG. APPR.	
O.A.	
SCALE	N.T.S.
DRAWING #	D19-040-MLBX-0360

COMMENTS:

1 FINISH ALL MACHINED SURFACES AND BREAK ALL SHARP EDGES UNLESS OTHERWISE SPECIFIED.

2 TOLERANCES ON ALL DIMENSIONS UNLESS OTHERWISE NOTED SHALL BE:
ONE PLACE DECIMAL ±0.03
THREE PLACE DECIMAL ±0.005
ANGULAR ±1°

3 THE NUMBER IN THE FINISH SYMBOL IS THE MAXIMUM ACCEPTABLE ROUGHNESS VALUE IN A.A. MICRO-INCHES.

NO.	DATE	BY	DESCRIPTION
A	8/30/2019	REA	SALES UPDATES
0	4/30/2019	REA	INITIAL RELEASE

REVISIONS

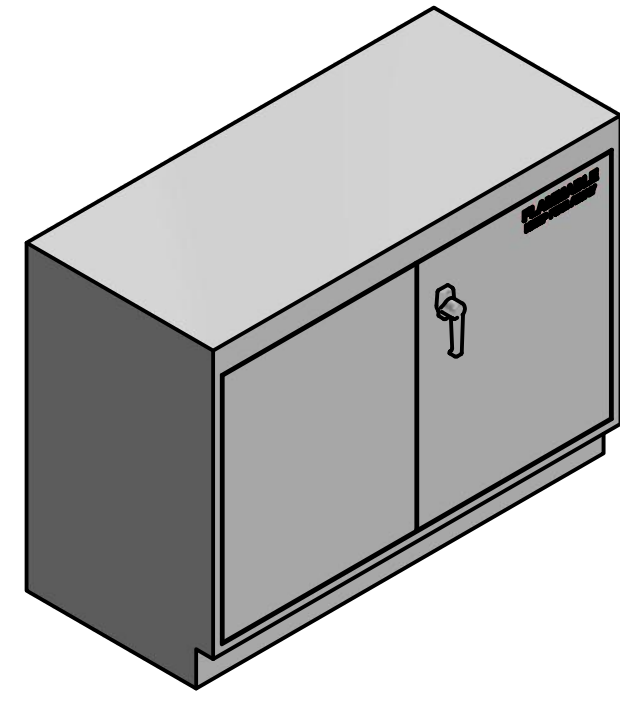
TITLE
INTERIOR SECTIONS - BASE OPTIONS 1

DROP BOX
A Portable Solutions Group Company

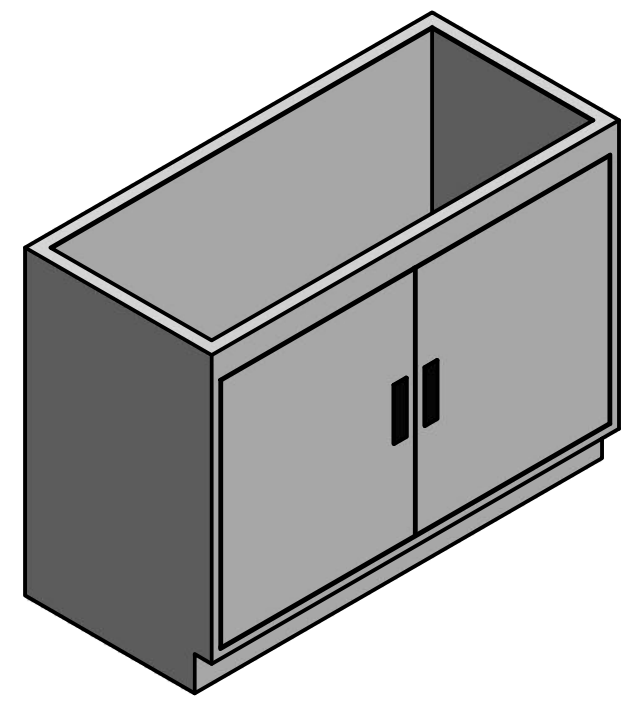
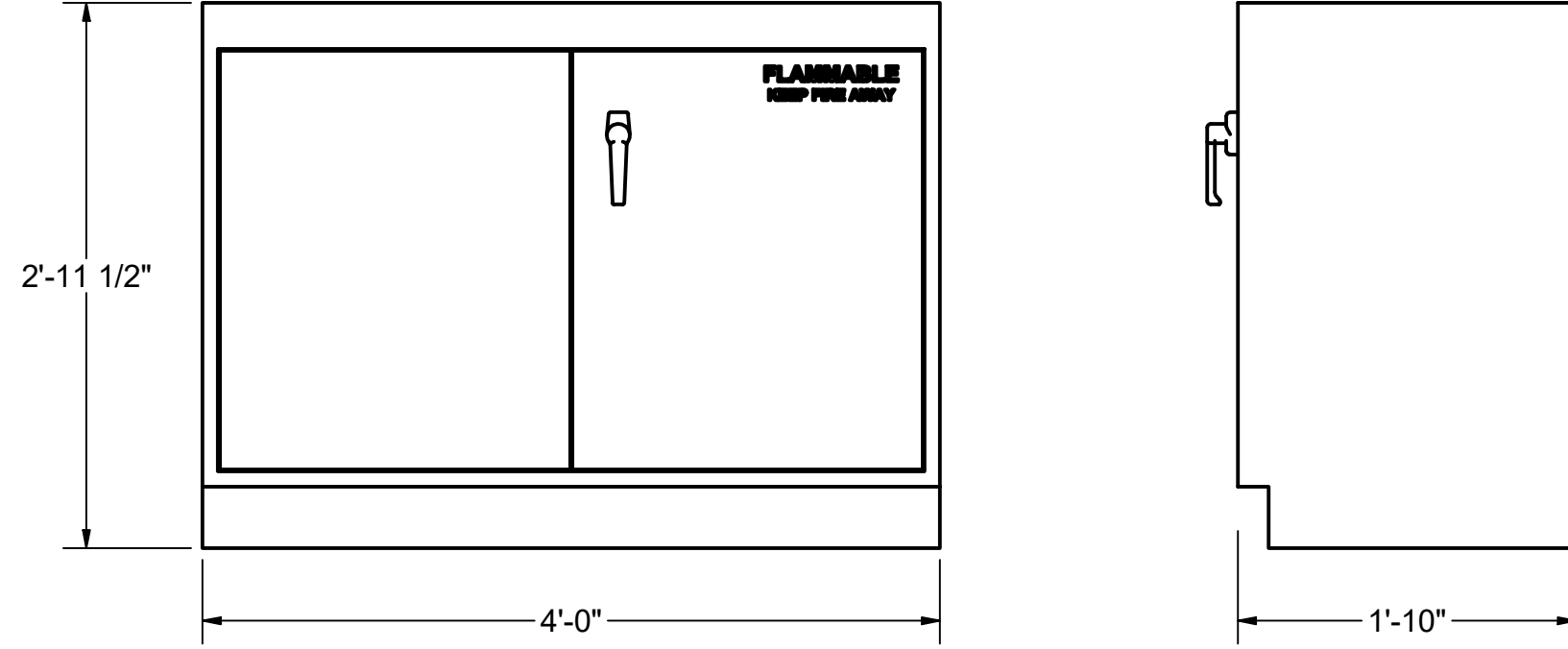
CUSTOMER
D19-040
PROJECT
MODULAR LAB BASE CONFIGURATIONS

CUSTOMER STANDARDS

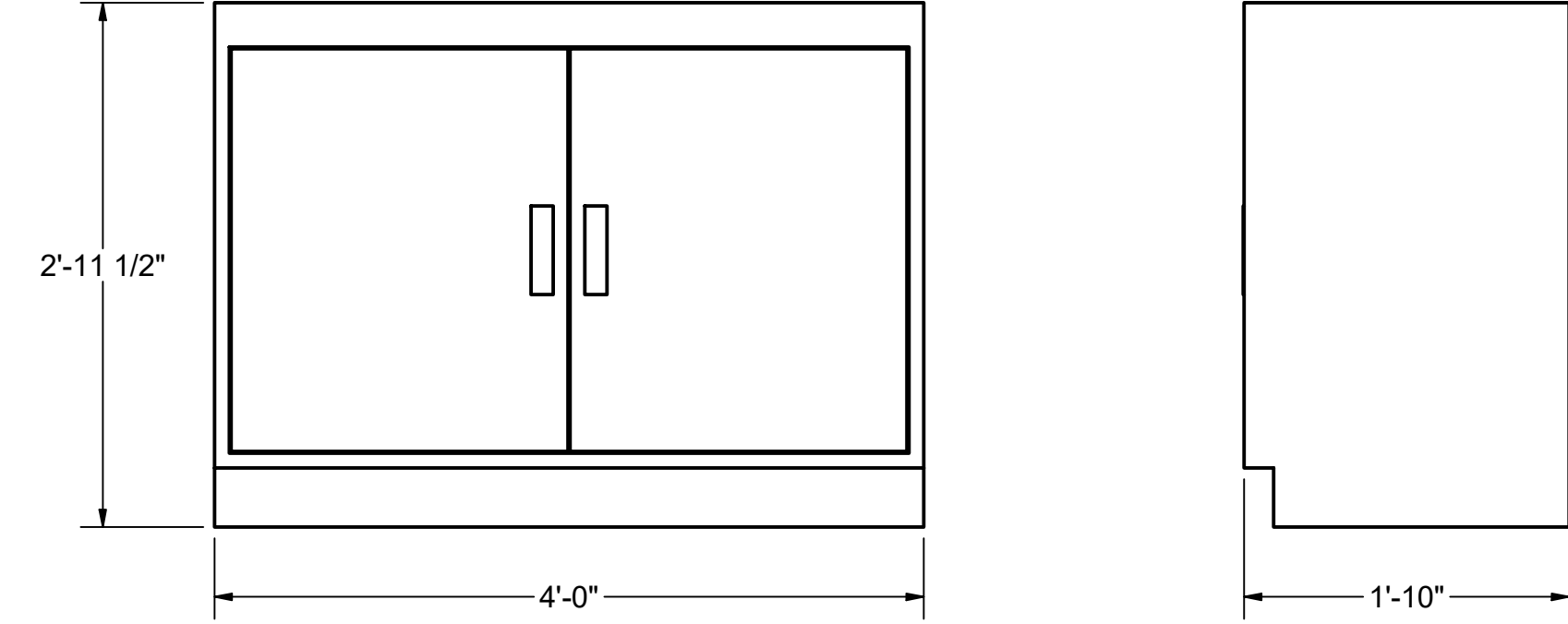
FOR SHIPMENT WORLDWIDE



- F48BS PROTECTOR SOLVENT STORAGE CABINET WITH SELF-CLOSING DOORS
- 48"W X 35.5"H X 22"D
- STEEL, GLACIER WHITE
- (0) DRAWERS
- (2) DOORS
- WEIGHT: 270 LBS



- F48BC STORAGE CABINET
- 48"W X 35.5"H X 22"D
- STEEL, GLACIER WHITE
- (0) DRAWERS
- (2) DOORS
- WEIGHT: 150 LBS



USED	QTY	DESCRIPTION
<input type="checkbox"/>	___	F48BS SOLVENT STORAGE BASE CABINET

USED	QTY	DESCRIPTION
<input type="checkbox"/>	___	F48BC STANDARD STORAGE BASE CABINET

THIRD ANGLE PROJECTION	SHEET SIZE
	ANSI D

THIS DOCUMENT CONTAINS INFORMATION THAT IS CONFIDENTIAL AND PROPRIETARY TO DROPBOX, INC. THIS DOCUMENT IS FURNISHED ON THE UNDERSTANDING THAT THE DOCUMENT AND THE INFORMATION IT CONTAINS WILL NOT BE REPRODUCED OR DISCLOSED TO OTHERS WITHOUT THE WRITTEN CONSENT OF DROPBOX, INC. OR USED FOR ANY PURPOSE OTHER THAN CONDUCTING BUSINESS WITH DROPBOX, INC., AND WILL BE RETURNED AND ALL FURTHER USE DISCONTINUED UPON REQUEST BY DROPBOX, INC. COPYRIGHT DROPBOX, INC. FIRST YEAR COPYRIGHT IS FIRST YEAR INDICATED ON THIS DOCUMENT. ALL RIGHTS RESERVED.



PROJECT # **D19-040**
 CUSTOMER **DROPBOX STANDARDS**
 PROJECT **MODULAR LAB BASE CONFIGURATIONS**

NO.	DATE	BY	DESCRIPTION
A	8/30/2019	REA	SALES UPDATES
0	4/30/2019	REA	INITIAL RELEASE

TITLE **INTERIOR SECTIONS - BASE OPTIONS 2**

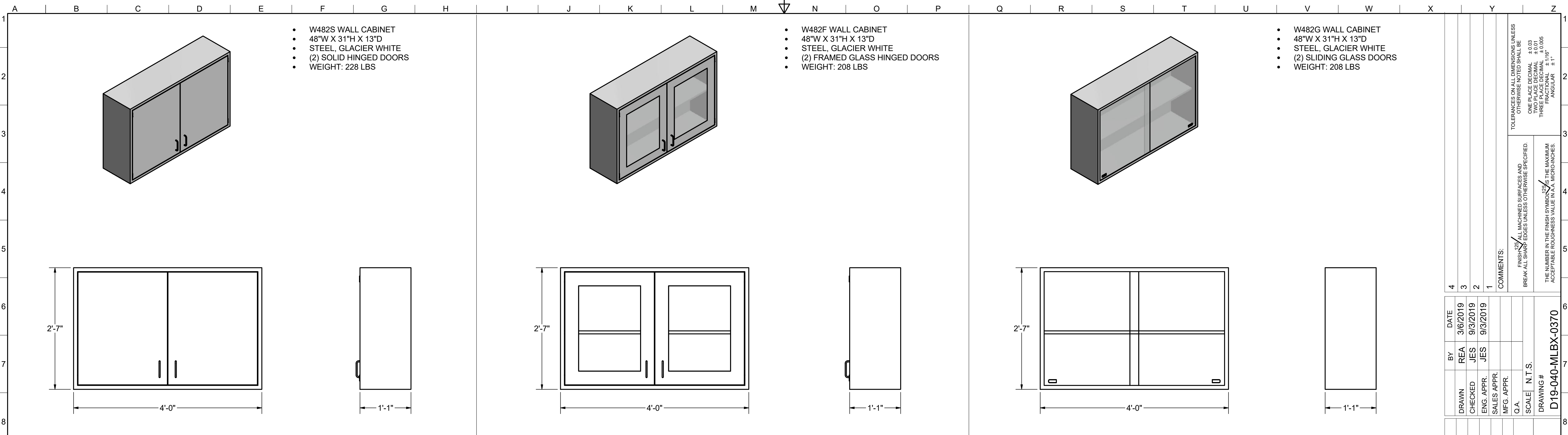
BY	DATE
REA	3/6/2019
JES	9/3/2019
JES	9/3/2019

DRAWING # **D19-040-MLBX-0361**

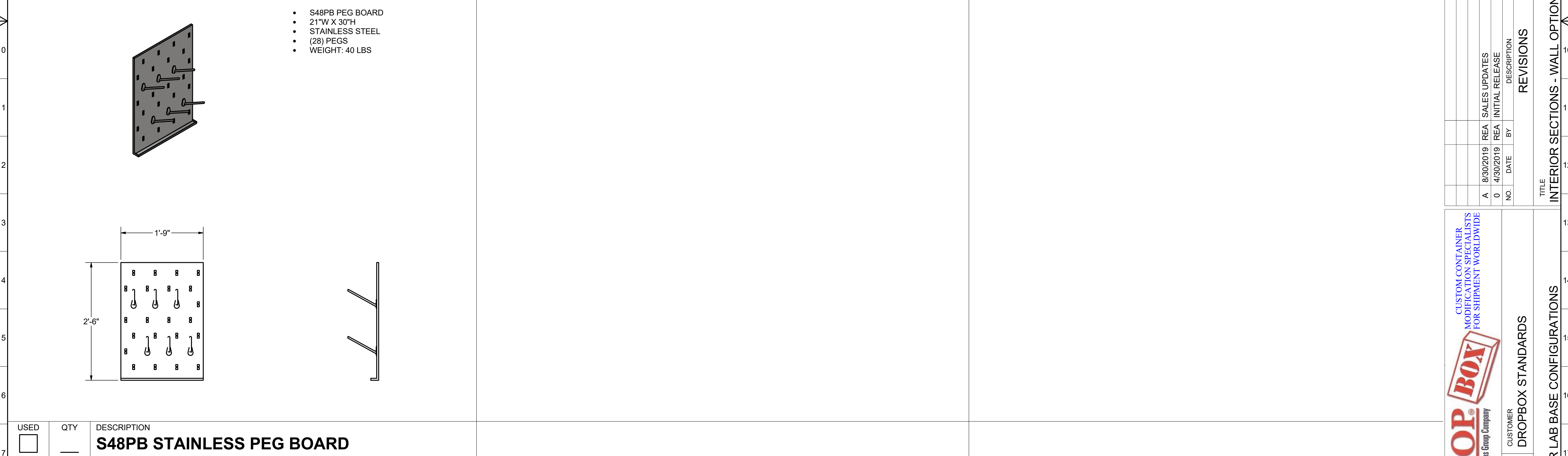
DRAWN	CHECKED	ENG. APPR.	SALES APPR.	MFG. APPR.	O.A.	SCALE	N.T.S.

COMMENTS:
 FINISH ALL MACHINED SURFACES AND BREAK ALL SHARP EDGES UNLESS OTHERWISE SPECIFIED.
 THE NUMBER IN THE FINISH SYMBOL IS THE MAXIMUM ACCEPTABLE ROUGHNESS VALUE IN A.A. MICROINCHES.

TOLERANCES ON ALL DIMENSIONS UNLESS OTHERWISE NOTED SHALL BE:
 ONE PLACE DECIMAL ±0.03
 THREE PLACE DECIMAL ±0.005
 ANGULAR ±1°



USED	QTY	DESCRIPTION
<input type="checkbox"/>	___	W482S WALL CABINET
<input type="checkbox"/>	___	W482F WALL CABINET
<input type="checkbox"/>	___	W482G WALL CABINET



USED	QTY	DESCRIPTION
<input type="checkbox"/>	___	S48PB STAINLESS PEG BOARD

THIRD ANGLE PROJECTION SHEET SIZE
 ANSI D

THIS DOCUMENT CONTAINS INFORMATION THAT IS CONFIDENTIAL AND PROPRIETARY TO DROPBOX, INC. THIS DOCUMENT IS FURNISHED ON THE UNDERSTANDING THAT THE DOCUMENT AND THE INFORMATION IT CONTAINS WILL NOT BE REPRODUCED OR DISCLOSED TO OTHERS WITHOUT THE WRITTEN CONSENT OF DROPBOX, INC. OR USED FOR ANY PURPOSE OTHER THAN CONDUCTING BUSINESS WITH DROPBOX, INC., AND WILL BE RETURNED AND ALL FURTHER USE DISCONTINUED UPON REQUEST BY DROPBOX, INC. COPYRIGHT DROPBOX, INC. FIRST YEAR COPYRIGHT IS FIRST YEAR INDICATED ON THIS DOCUMENT. ALL RIGHTS RESERVED.

REVISIONS

NO.	DATE	BY	DESCRIPTION
A	8/30/2019	REA	SALES UPDATES
0	4/30/2019	REA	INITIAL RELEASE

TOLERANCES ON ALL DIMENSIONS UNLESS OTHERWISE NOTED SHALL BE:
 ONE PLACE DECIMAL ± 0.03
 THREE PLACE DECIMAL ± 0.005
 ANGULAR ± 1°

FINISH: ALL MACHINED SURFACES AND BREAK ALL SHARP EDGES UNLESS OTHERWISE SPECIFIED.

SCALE: N.T.S.

DRAWING #: D19-040-MLBX-0370

CUSTOMER: DROPBOX STANDARDS

PROJECT #: D19-040

PROJECT: MODULAR LAB BASE CONFIGURATIONS

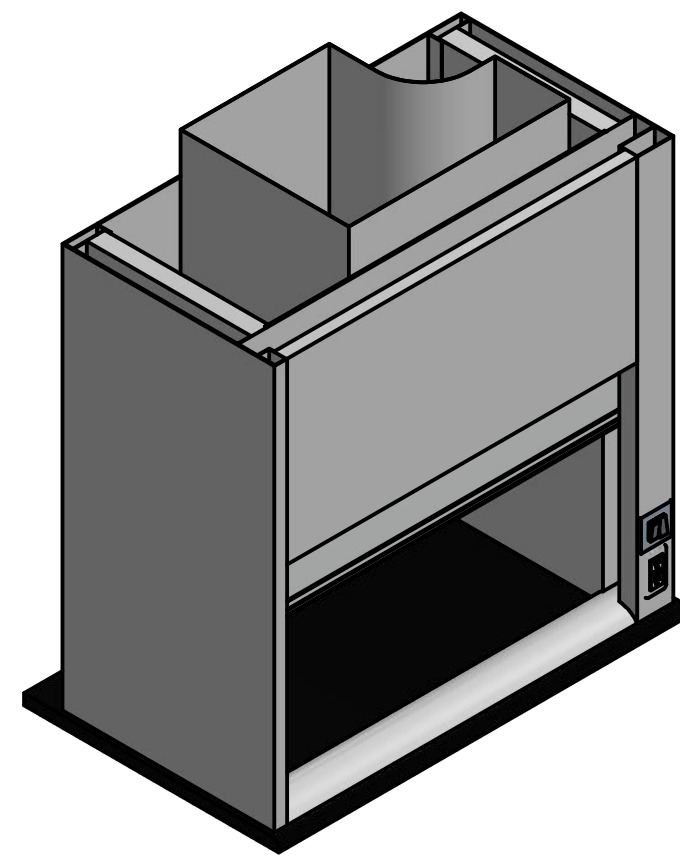
REVISIONS - WALL OPTIONS

PROJECT: MODULAR LAB BASE CONFIGURATIONS

PROJECT #: D19-040

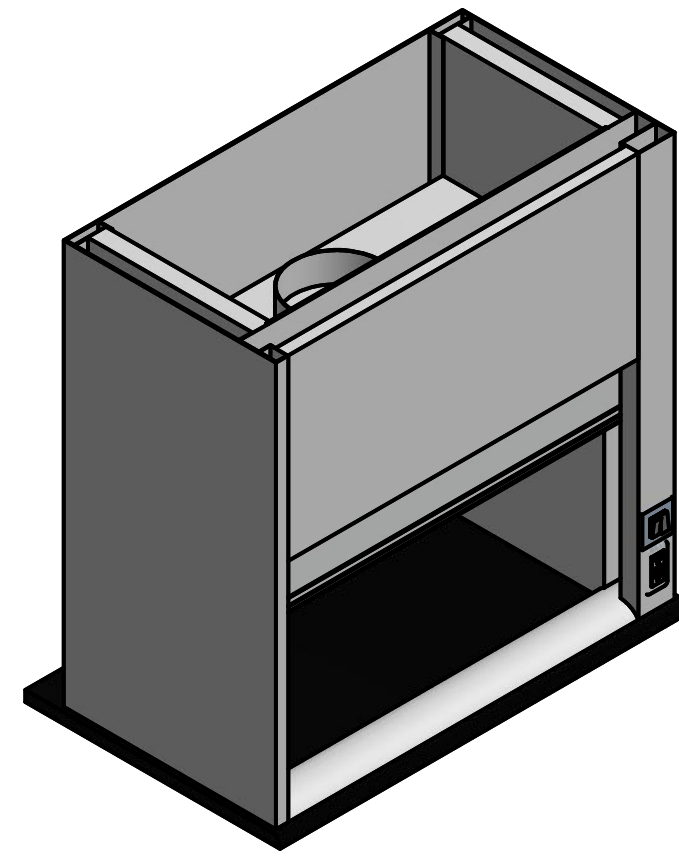
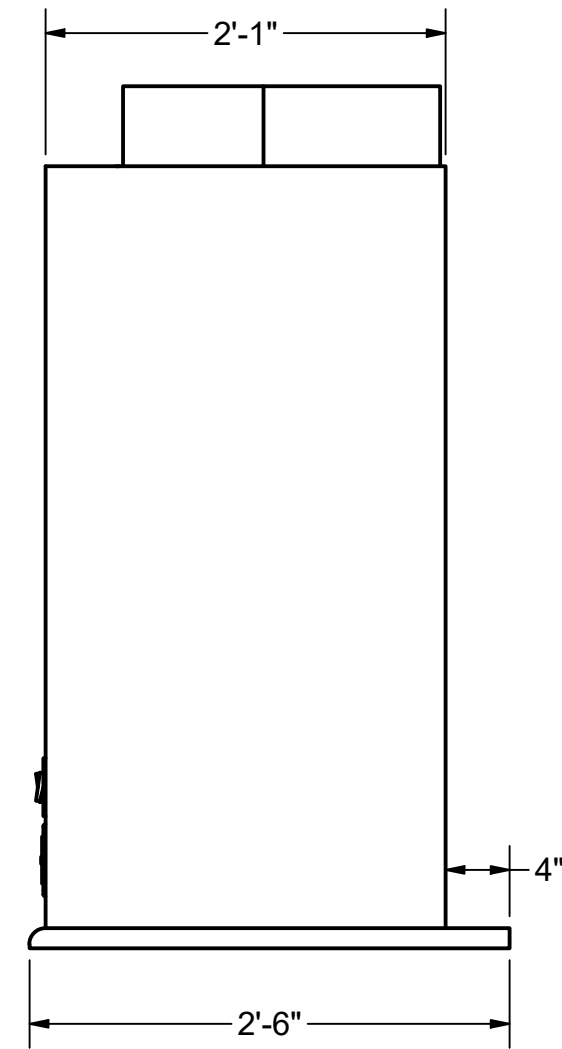
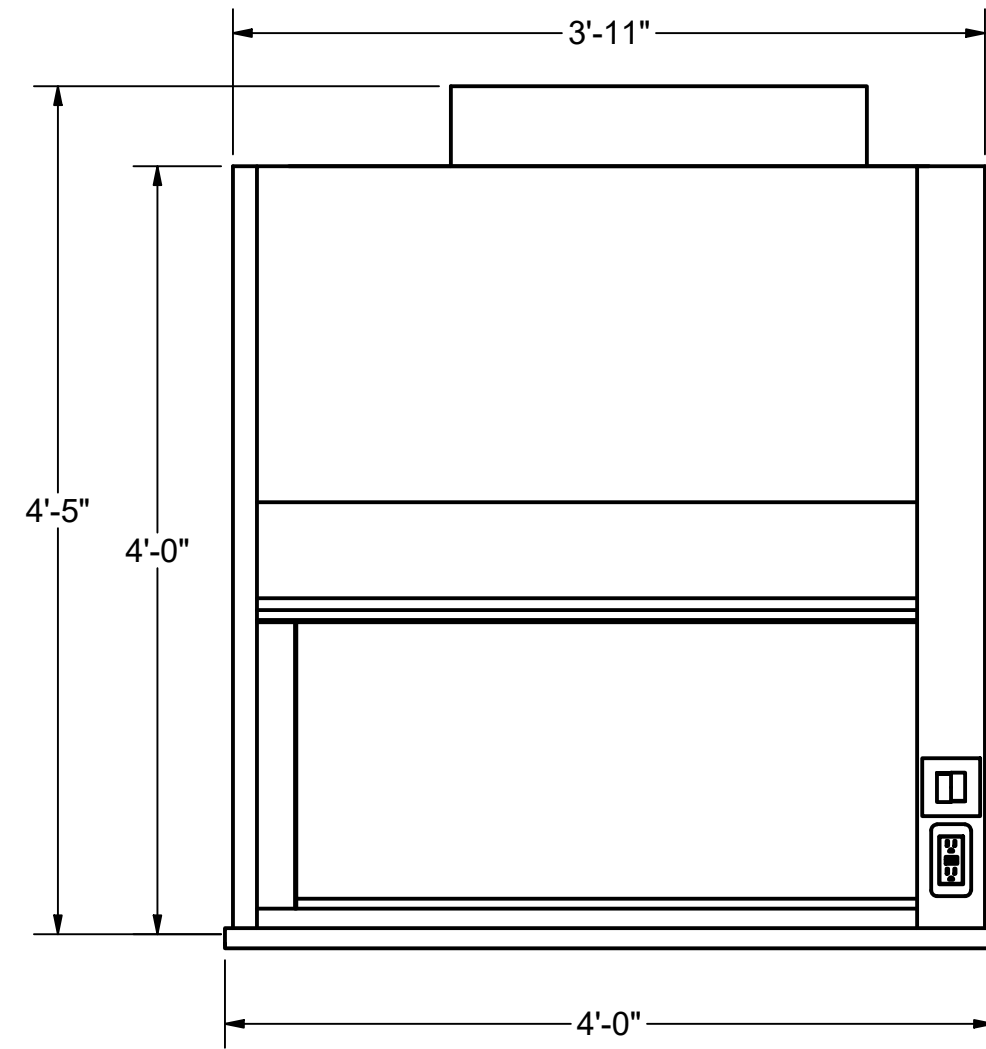
PROJECT: MODULAR LAB BASE CONFIGURATIONS





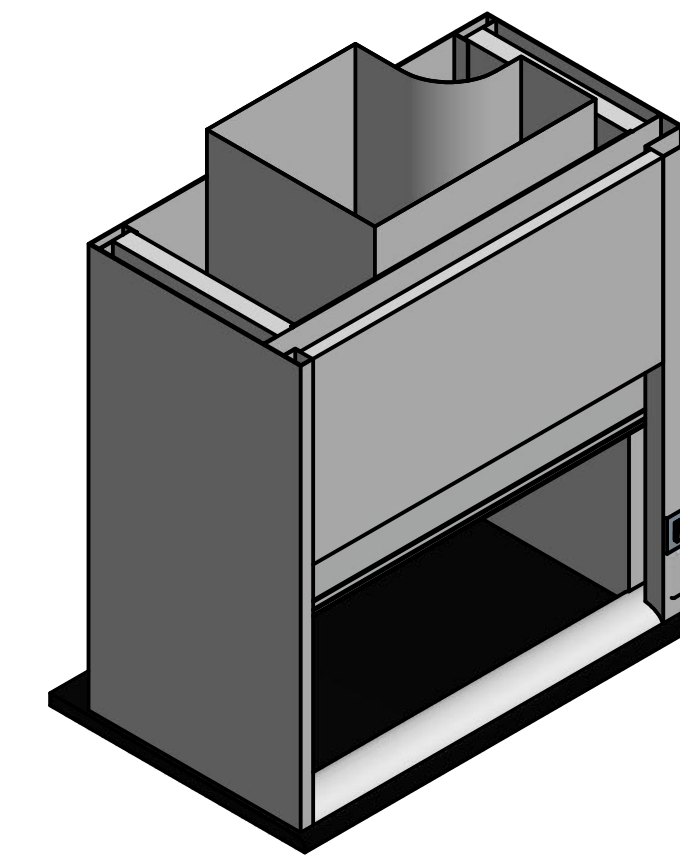
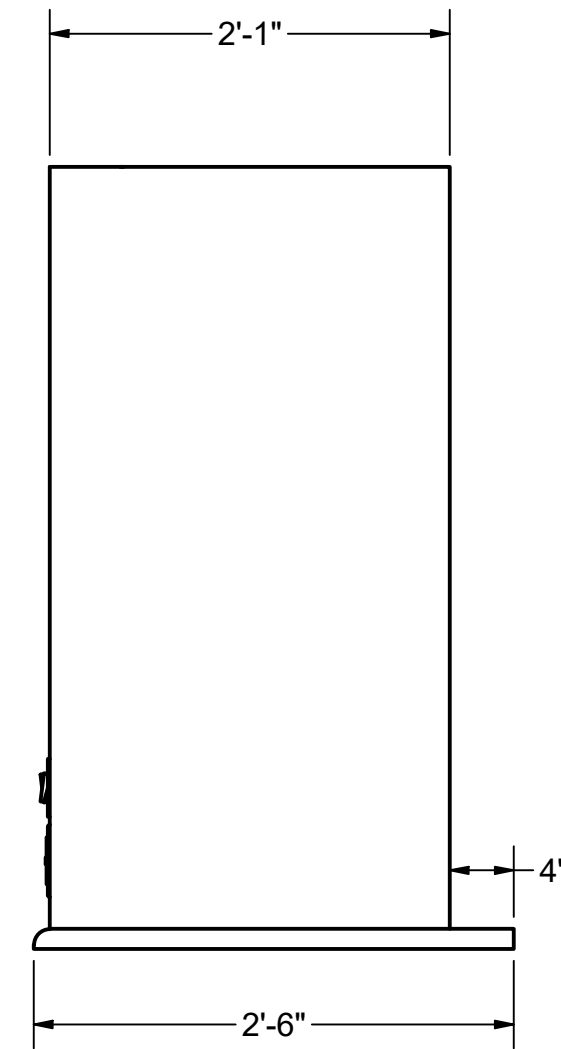
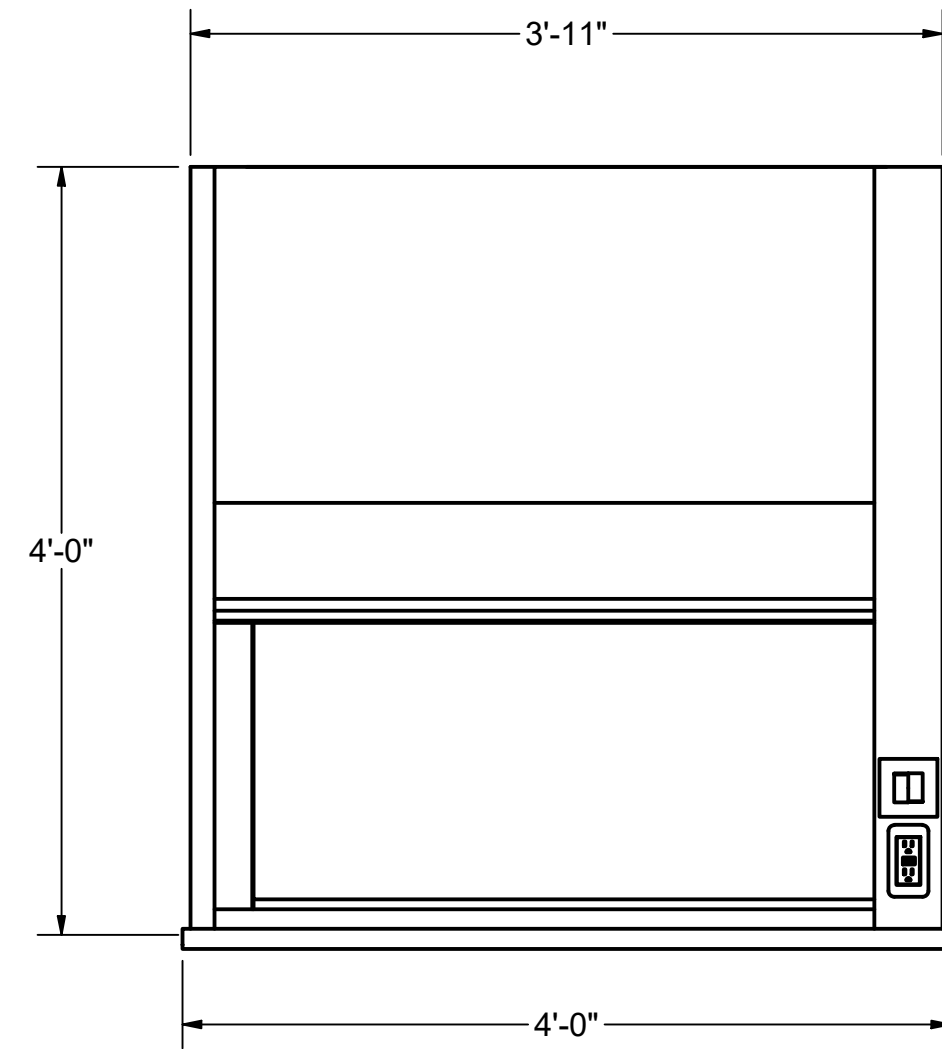
- F48BB FUME HOOD
- 47"W X 53"H X 25"D
- LABCONCO BASIC 47 FUME HOOD WITH BUILT-IN BLOWER*
- (1) 20A GFCI RECEPTACLE
- (1) LIGHT SWITCH
- (1) BLOWER SWITCH
- (1) SASH STOP
- (1) 48"W X 1-1/4" H X 30"D SOLID EPOXY WORK SURFACE
- WEIGHT: 505 LBS

*BUILT-IN BLOWER IS NOT Z9.5 COMPLIANT. IF Z9.5 COMPLIANCE IS REQUIRED CHOOSE F48BR.



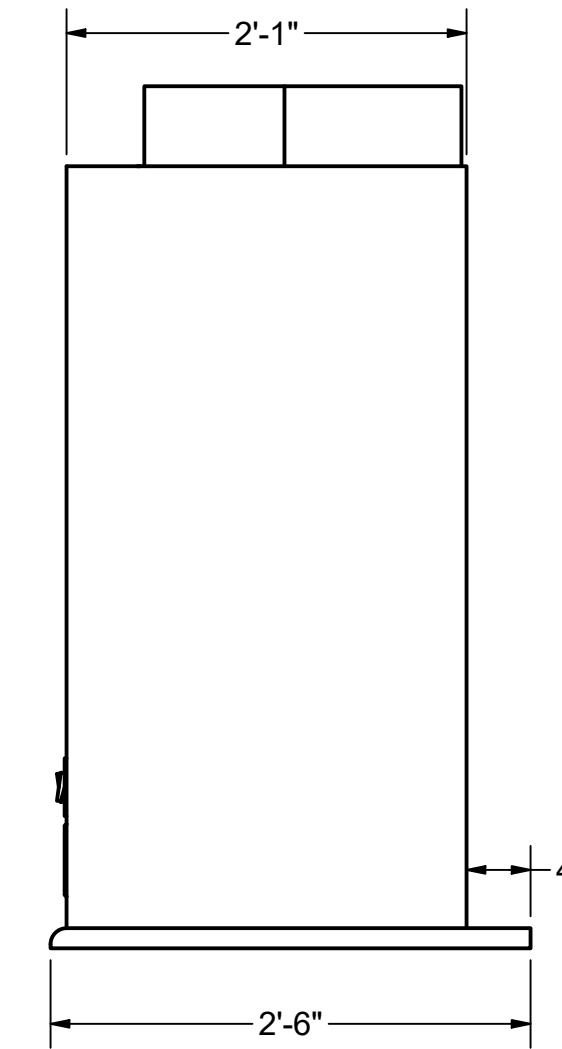
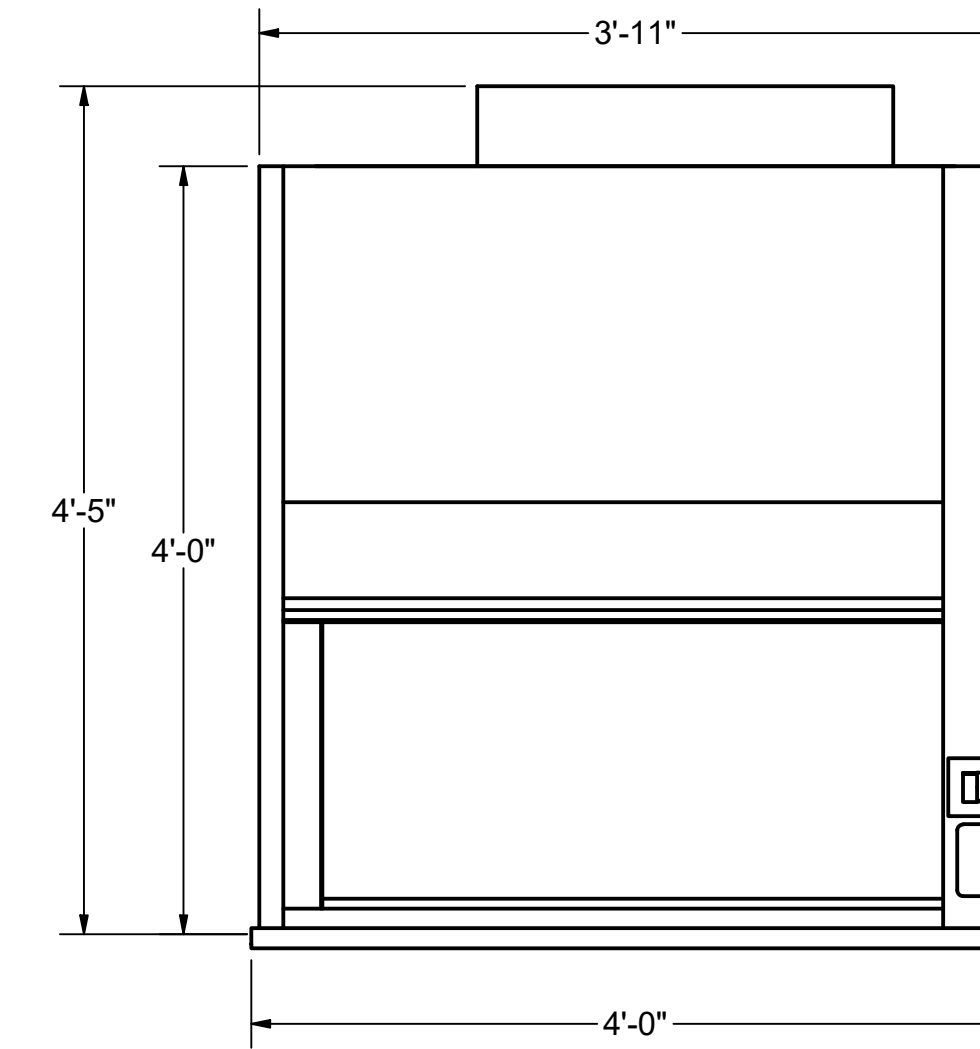
- F48BR FUME HOOD
- 47"W X 53"H X 25"D
- LABCONCO BASIC 47 FUME HOOD WITH REMOTE BLOWER*
- (1) 20A GFCI RECEPTACLE
- (1) LIGHT SWITCH
- (1) BLOWER SWITCH
- (1) SASH STOP
- (1) 48"W X 1-1/4" H X 30"D SOLID EPOXY WORK SURFACE
- WEIGHT: 415 LBS

*Z9.5 COMPLIANT



- F48BE FUME HOOD
- 47"W X 53"H X 25"D
- LABCONCO BASIC 47 FUME HOOD WITH BUILT-IN EXPLOSION-PROOF BLOWER*
- (1) LIGHT SWITCH
- (1) BLOWER SWITCH
- (1) SASH STOP
- (1) 48"W X 1-1/4" H X 30"D SOLID EPOXY WORK SURFACE
- WEIGHT: 505 LBS

*BUILT-IN BLOWER IS NOT Z9.5 COMPLIANT.



USED	QTY	DESCRIPTION
<input type="checkbox"/>	___	F48BB FUME HOOD W/ BUILT IN BLOWER

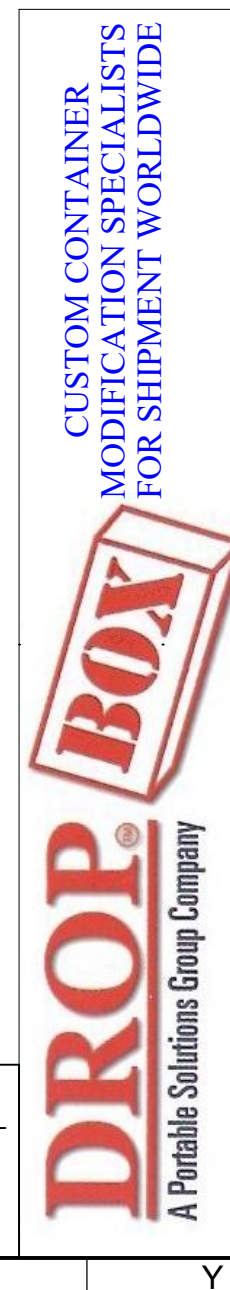
USED	QTY	DESCRIPTION
<input type="checkbox"/>	___	F48BR FUME HOOD W/ REMOTE MODULE

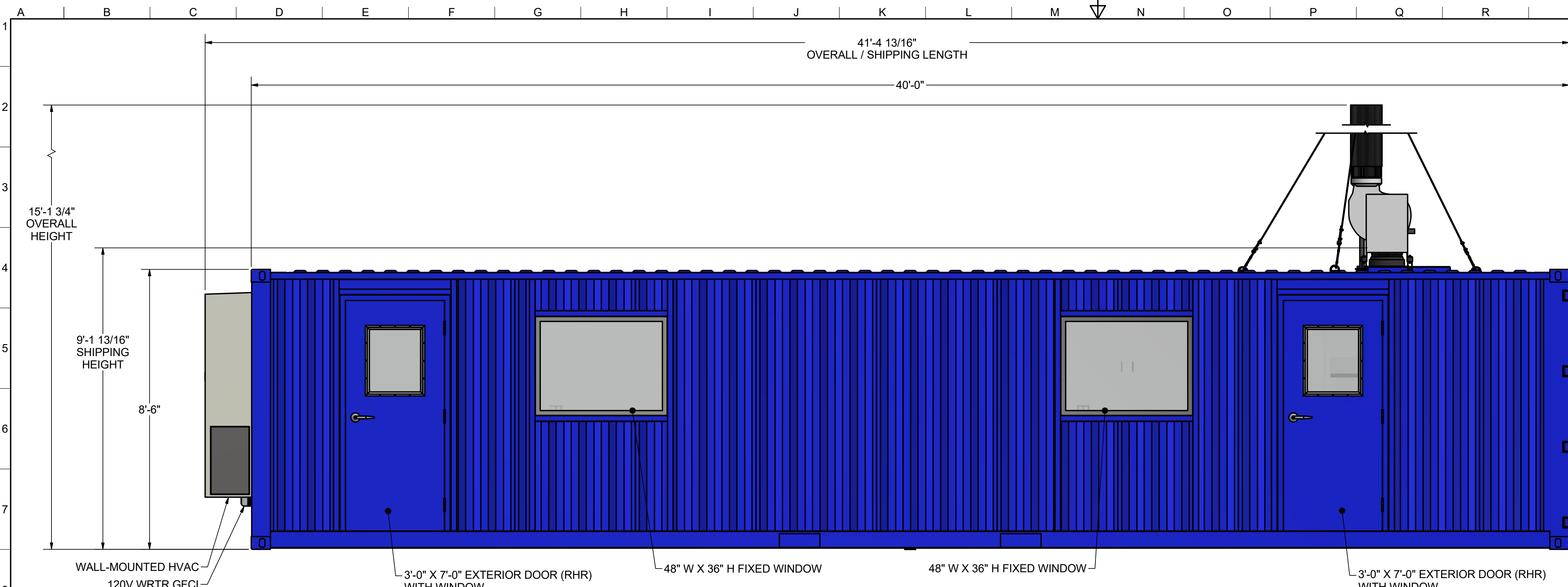
USED	QTY	DESCRIPTION
<input type="checkbox"/>	___	F48BE FUME HOOD W/ BUILT IN XP BLOWER

TOLERANCES ON ALL DIMENSIONS UNLESS OTHERWISE NOTED SHALL BE: ONE PLACE DECIMAL ± 0.03 THREE PLACE DECIMAL ± 0.005 ANGULAR ± 1°			
FINISH: ALL MACHINED SURFACES AND BREAK ALL SHARP EDGES UNLESS OTHERWISE SPECIFIED.	THE NUMBER IN THE FINISH SYMBOL IS THE MAXIMUM ACCEPTABLE ROUGHNESS VALUE IN A.A. MICRO-INCHES.		
COMMENTS: 1 2 3 4			
BY: REA, JES, JES	DATE: 3/6/2019, 9/3/2019, 9/3/2019		
DRAWN: REA	CHECKED: JES		
ENG. APPR: JES	SALES APPR: JES		
MFG. APPR:	O.A.:		
SCALE: N.T.S.	DRAWING #: D19-040-MLBX-0380		
REVISIONS			
NO.	DATE	BY	DESCRIPTION
A	8/30/2019	REA	SALES UPDATES
0	4/30/2019	REA	INITIAL RELEASE
TITLE: INTERIOR SECTIONS - FUME HOOD OPTIONS			
PROJECT: MODULAR LAB BASE CONFIGURATIONS			
CUSTOMER: DROPBOX STANDARDS			
PROJECT #: D19-040			

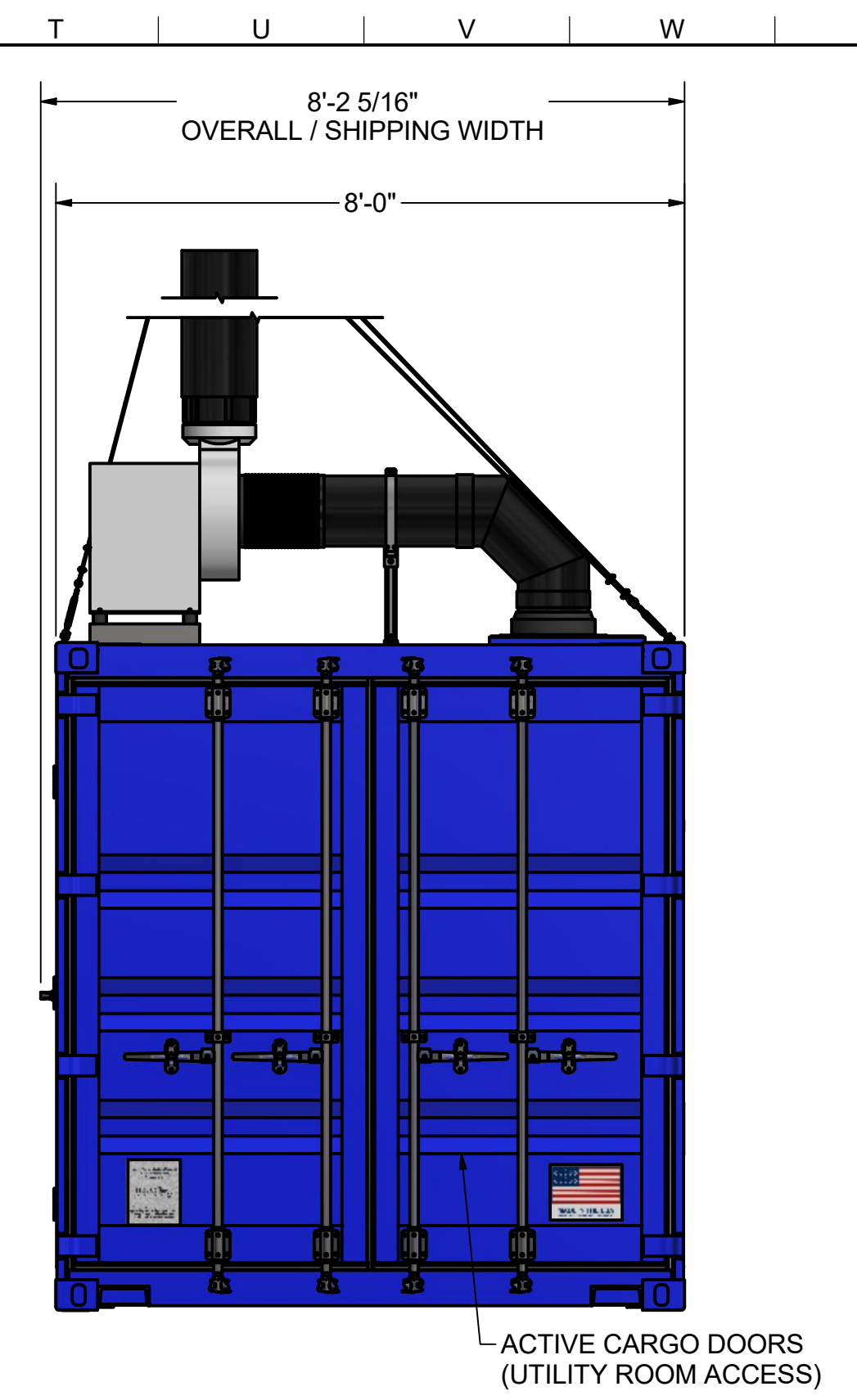
THIRD ANGLE PROJECTION	SHEET SIZE
	ANSI D

THIS DOCUMENT CONTAINS INFORMATION THAT IS CONFIDENTIAL AND PROPRIETARY TO DROPBOX, INC. THIS DOCUMENT IS FURNISHED ON THE UNDERSTANDING THAT THE DOCUMENT AND THE INFORMATION IT CONTAINS WILL NOT BE REPRODUCED OR DISCLOSED TO OTHERS WITHOUT THE WRITTEN CONSENT OF DROPBOX, INC. OR USED FOR ANY PURPOSE OTHER THAN CONDUCTING BUSINESS WITH DROPBOX, INC., AND WILL BE RETURNED AND ALL FURTHER USE DISCONTINUED UPON REQUEST BY DROPBOX, INC. COPYRIGHT DROPBOX, INC. FIRST YEAR COPYRIGHT IS FIRST YEAR INDICATED ON THIS DOCUMENT. ALL RIGHTS RESERVED.

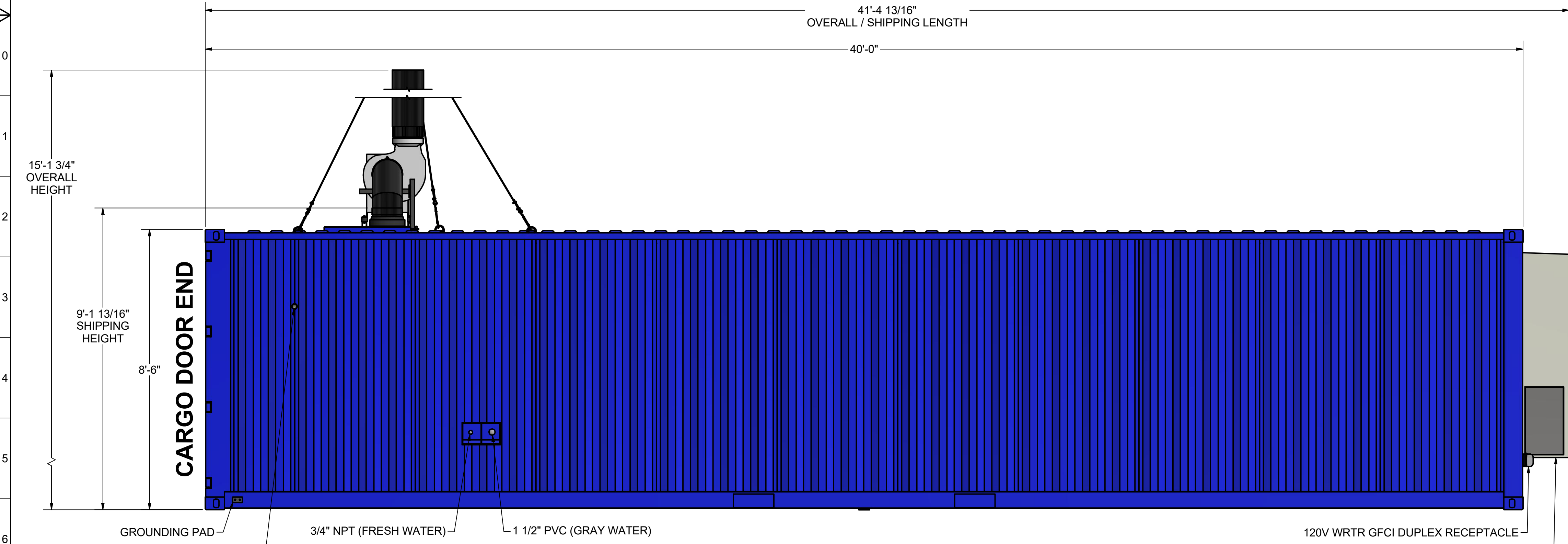




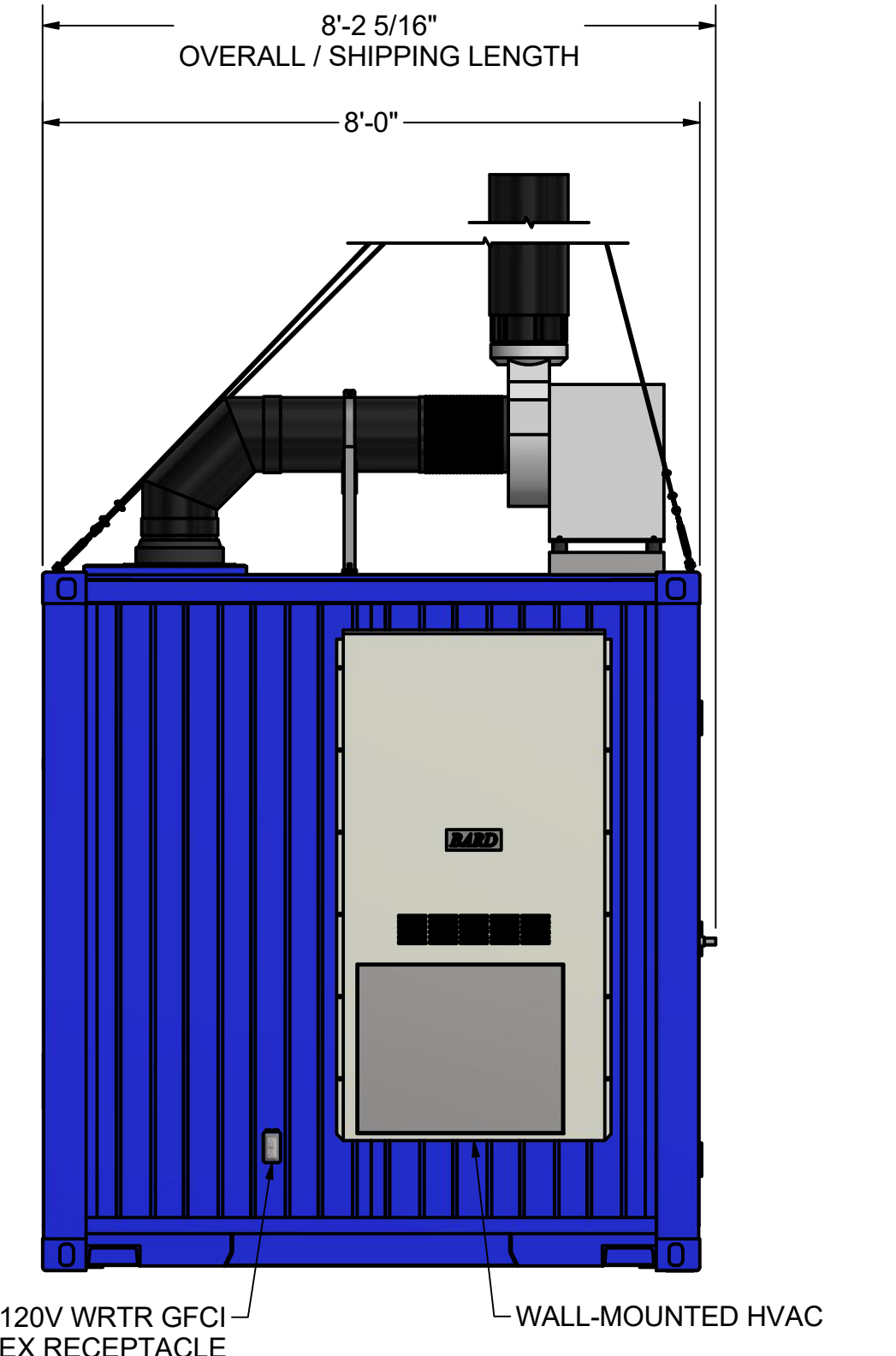
EXTERIOR ELEVATIONS - 40 - FRONT ELEVATION VIEW
SCALE 1/2" = 1'-0"



EXTERIOR ELEVATIONS - 40 - CARGO DOOR END ELEVATION VIEW
SCALE 1/2" = 1'-0"



EXTERIOR ELEVATIONS - 40 - REAR ELEVATION VIEW
SCALE 1/2" = 1'-0"



EXTERIOR ELEVATIONS - 40 - END WALL ELEVATION VIEW
SCALE 1/2" = 1'-0"

THIRD ANGLE PROJECTION	SHEET SIZE
	ANSI D

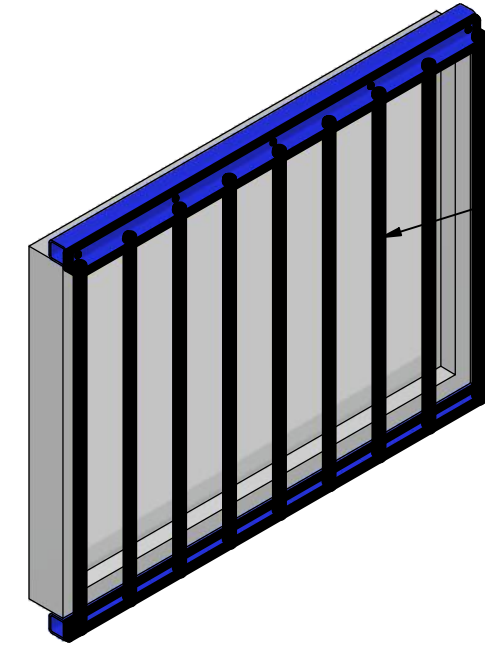
DRAWING DEPICTS BASE CONFIGURATION, SEE EXTERIOR ELEVATIONS SHEETS FOR ADDITIONAL OPTIONS.

THIS DOCUMENT CONTAINS INFORMATION THAT IS CONFIDENTIAL AND PROPRIETARY TO DROPBOX, INC. THIS DOCUMENT IS FURNISHED ON THE UNDERSTANDING THAT THE DOCUMENT AND THE INFORMATION IT CONTAINS WILL NOT BE REPRODUCED OR DISCLOSED TO OTHERS WITHOUT THE WRITTEN CONSENT OF DROPBOX, INC. OR USED FOR ANY PURPOSE OTHER THAN CONDUCTING BUSINESS WITH DROPBOX, INC., AND WILL BE RETURNED AND ALL FURTHER USE DISCONTINUED UPON REQUEST BY DROPBOX, INC. COPYRIGHT DROPBOX, INC. FIRST YEAR COPYRIGHT IS FIRST YEAR INDICATED ON THIS DOCUMENT. ALL RIGHTS RESERVED.

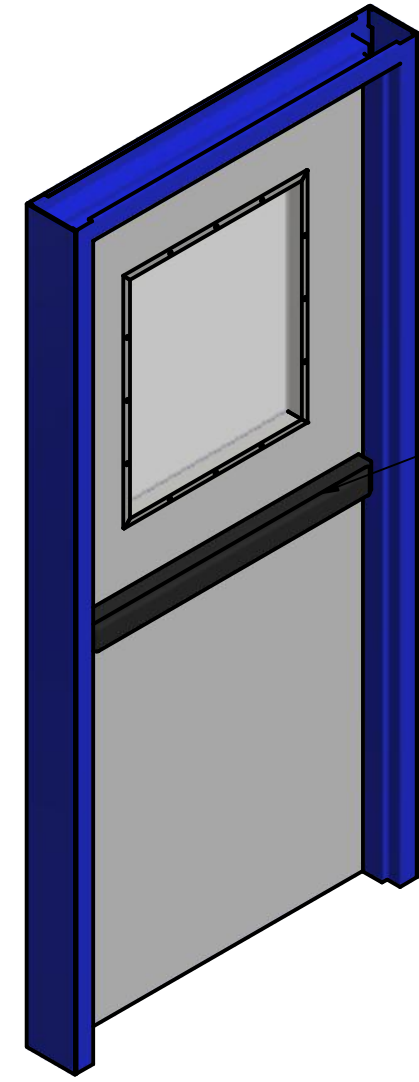
		CUSTOMER: D19-040 PROJECT: MODULAR LAB BASE CONFIGURATIONS	
CUSTOMER: DROPBOX STANDARDS		PROJECT: D19-040	
CUSTOMER: D19-040		PROJECT: MODULAR LAB BASE CONFIGURATIONS	
TITLE: EXTERIOR ELEVATIONS - 40 - ELEVATIONS			
REVISIONS			
NO.	DATE	BY	DESCRIPTION
A	8/30/2019	REA	SALES UPDATES
0	4/30/2019	REA	INITIAL RELEASE
DRAWING # D19-040-MLBX-0440			
SCALE 1/2" = 1'-0"			
COMMENTS:			
1			FINISH ALL MACHINES SURFACES AND BREAK ALL SHARP EDGES UNLESS OTHERWISE SPECIFIED.
2			
3	3/6/2019	JES	9/3/2019
4	3/6/2019	REA	3/6/2019
TOLERANCES ON ALL DIMENSIONS UNLESS OTHERWISE NOTED SHALL BE:			
ONE PLACE DECIMAL ± 0.03			
TWO PLACE DECIMAL ± 0.015			
THREE PLACE DECIMAL ± 0.005			
ANGULAR ± 1°			



1/2" ROUND SECURITY BARS



1/2" ROUND SECURITY BARS

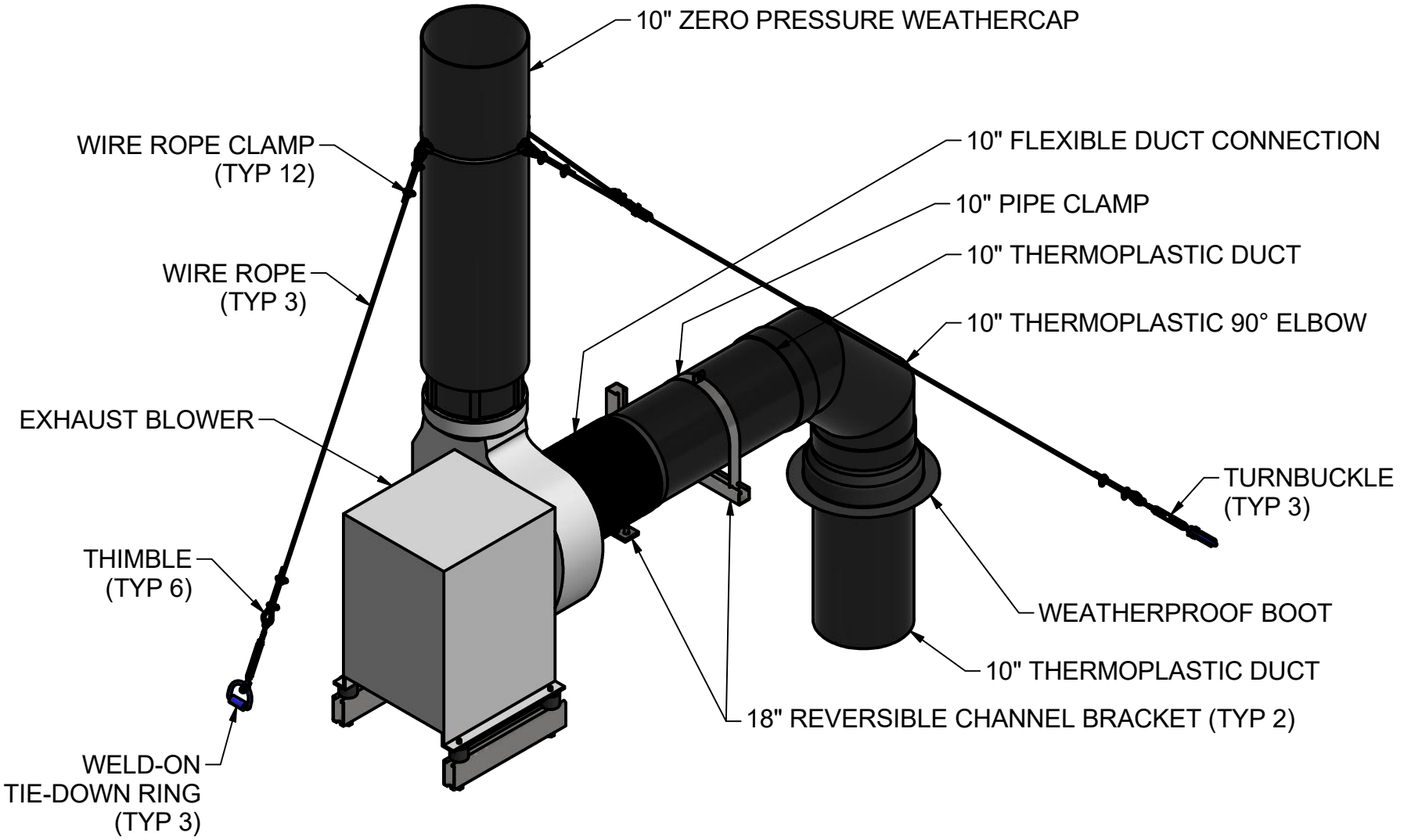
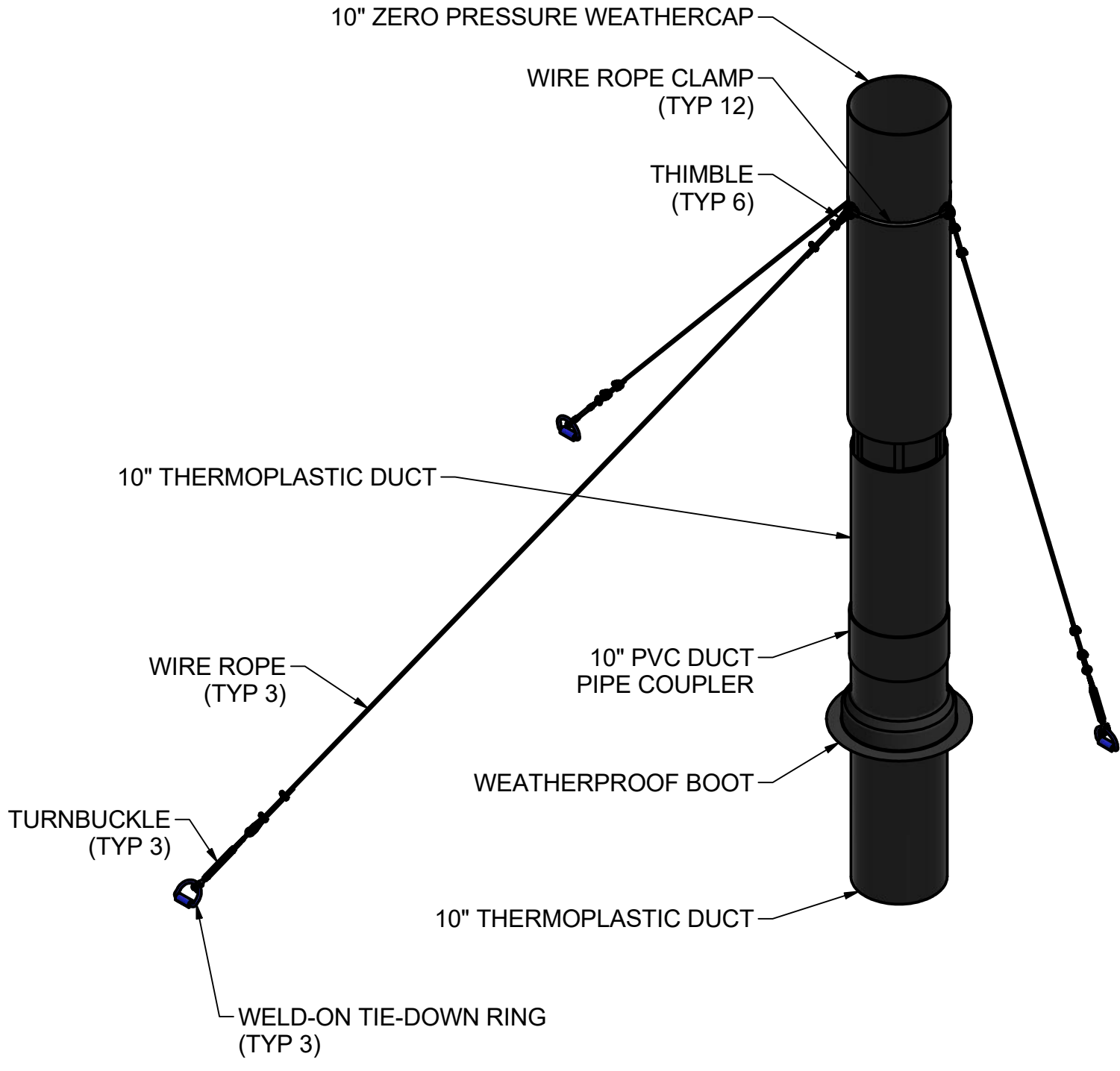


EXIT DEVICE

USED	QTY	DESCRIPTION
<input type="checkbox"/>	___	DOOR SECURITY BARS

USED	QTY	DESCRIPTION
<input type="checkbox"/>	___	WINDOW SECURITY BARS

USED	QTY	DESCRIPTION
<input type="checkbox"/>	___	DOOR EXIT DEVICE

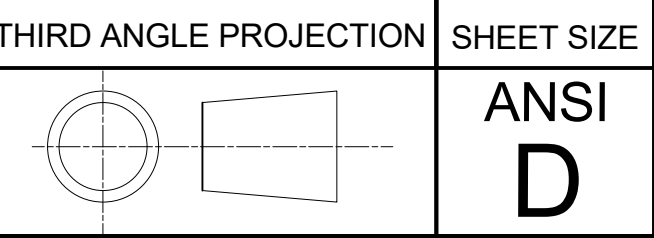


COLOR OPTIONS	
<input type="checkbox"/>	BLUE
<input type="checkbox"/>	WHITE
<input type="checkbox"/>	GRAY
<input type="checkbox"/>	TAN
<input type="checkbox"/>	OTHER _____

USED	QTY	DESCRIPTION
<input type="checkbox"/>	___	VENT STACK FOR HOOD W/ BUILT IN BLOWER

USED	QTY	DESCRIPTION
<input type="checkbox"/>	___	VENT STACK FOR HOOD W/ REMOTE MODULE

USED	QTY	DESCRIPTION
<input type="checkbox"/>	___	EXTERIOR COLOR



THIS DOCUMENT CONTAINS INFORMATION THAT IS CONFIDENTIAL AND PROPRIETARY TO DROPBOX, INC. THIS DOCUMENT IS FURNISHED ON THE UNDERSTANDING THAT THE DOCUMENT AND THE INFORMATION IT CONTAINS WILL NOT BE REPRODUCED OR DISCLOSED TO OTHERS WITHOUT THE WRITTEN CONSENT OF DROPBOX, INC. OR USED FOR ANY PURPOSE OTHER THAN CONDUCTING BUSINESS WITH DROPBOX, INC., AND WILL BE RETURNED AND ALL FURTHER USE DISCONTINUED UPON REQUEST BY DROPBOX, INC. COPYRIGHT DROPBOX, INC. FIRST YEAR COPYRIGHT IS FIRST YEAR INDICATED ON THIS DOCUMENT. ALL RIGHTS RESERVED.

4	DATE	3/6/2019
3	BY	REA
2	CHECKED	JES
1	ENG. APPR.	JES
	SALES APPR.	
	MFG. APPR.	
	O.A.	
	SCALE	N.T.S.
	DRAWING #	D19-040-MLBX-0460

NO.	DATE	BY	DESCRIPTION
A	8/30/2019	REA	SALES UPDATES
0	4/30/2019	REA	INITIAL RELEASE

REVISIONS

TITLE
EXTERIOR ELEVATIONS - OPTIONS

CUSTOMER
D19-040

PROJECT
MODULAR LAB BASE CONFIGURATIONS

CUSTOM CONTAINER MODIFICATION SPECIALISTS FOR SHIPMENT WORLDWIDE

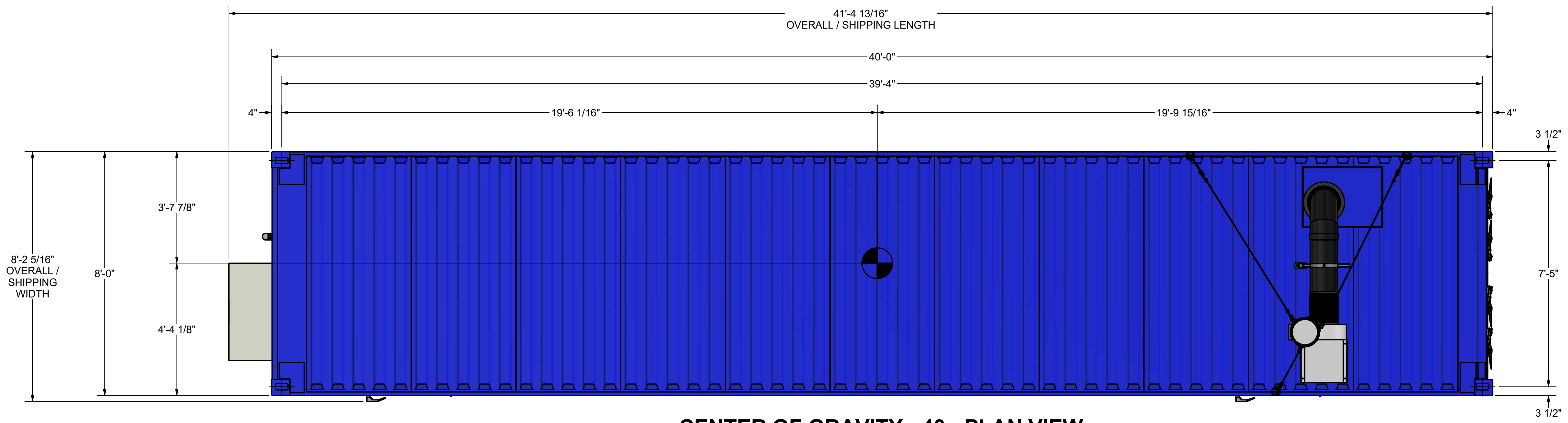
DROP BOX
A Portable Solutions Group Company

CUSTOMER
D19-040

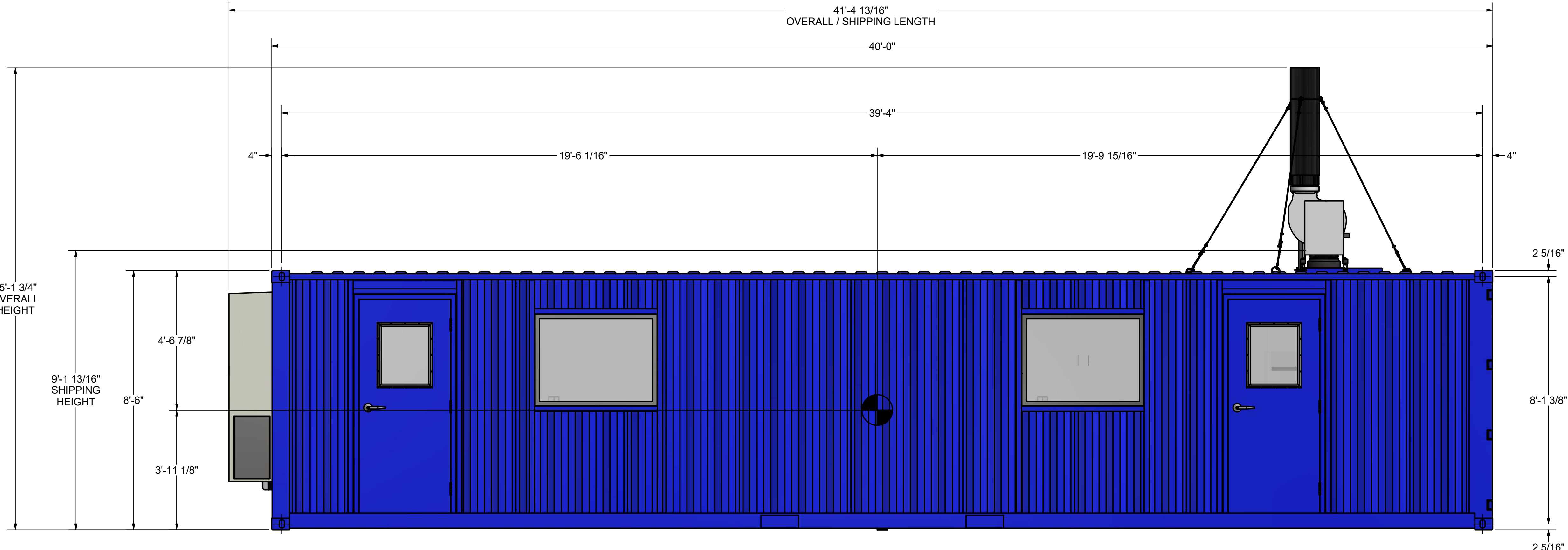
PROJECT
MODULAR LAB BASE CONFIGURATIONS

TOLERANCES ON ALL DIMENSIONS UNLESS OTHERWISE NOTED SHALL BE:
 ONE PLACE DECIMAL ± 0.03
 THREE PLACE DECIMAL ± 0.005
 ANGULAR ± 1/16"

A B C D E F G H I J K L M N O P Q R S T U V W X Y Z



CENTER OF GRAVITY - 40 - PLAN VIEW
SCALE 1/2" = 1'-0"



CENTER OF GRAVITY - 40 - FRONT ELEVATION VIEW
SCALE 1/2" = 1'-0"

CALCULATED WEIGHT	
16,100 LB	
<p>THE CALCULATED WEIGHT DOES NOT REPRESENT THE ACTUAL WEIGHT OF THIS UNIT. THE CALCULATED WEIGHT OF THIS UNIT IS BASED ON STANDARD DESIGN PRACTICES AND IS CALCULATED FROM THE DESIGN MODEL. THE DESIGN MODEL IS REPRESENTATIVE OF THE BASE CONFIGURATION SCOPE OF WORK AND ONLY INCLUDES WEIGHTS OF MATERIALS INSTALLED AT THE MANUFACTURING FACILITIES AND DOES NOT INCLUDE CUSTOMER INSTALLED MATERIAL WEIGHTS.</p>	
LIFTING METHOD(S)	
<input checked="" type="checkbox"/>	BOTTOM CORNER BLOCKS
<input checked="" type="checkbox"/>	TOP CORNER BLOCKS
<input type="checkbox"/>	FORK POCKETS
<input type="checkbox"/>	OTHER

BY	DATE	4
REA	3/6/2019	3
JES	9/3/2019	2
JES	9/3/2019	1
<p>COMMENTS:</p> <p>FINISH ALL MACHINES SURFACES AND BREAK ALL SHARP EDGES UNLESS OTHERWISE SPECIFIED.</p> <p>TOLERANCES ON ALL DIMENSIONS UNLESS OTHERWISE NOTED SHALL BE: ONE PLACE DECIMAL ± 0.03 TWO PLACE DECIMAL ± 0.015 THREE PLACE DECIMAL ± 0.005 ANGULAR ± 1°</p>		
SCALE	1/2" = 1'-0"	
DRAWING #	D19-040-MLBX-0540	


DRAWN	CHECKED	ENG. APPR.	SALES APPR.	MFG. APPR.	O.A.
REA	JES	JES	REA	REA	
DATE	DATE	DATE	DATE	DATE	DATE
3/6/2019	9/3/2019	9/3/2019			
<p>SALES UPDATES</p> <p>INITIAL RELEASE</p>					
<p>REVISIONS</p>					
<p>TITLE: CENTER OF GRAVITY - 40</p>					

CUSTOMER DROPOX STANDARDS

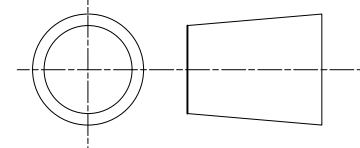
PROJECT # D19-040

PROJECT MODULAR LAB BASE CONFIGURATIONS

CUSTOM CONTAINER MODIFICATION SPECIALISTS FOR SHIPMENT WORLDWIDE



A Portable Solutions Group Company

THIRD ANGLE PROJECTION	SHEET SIZE
	ANSI D

DRAWING DEPICTS BASE CONFIGURATION, SEE INTERIOR SECTIONS AND EXTERIOR ELEVATIONS SHEETS FOR ADDITIONAL OPTIONS.

THIS DOCUMENT CONTAINS INFORMATION THAT IS CONFIDENTIAL AND PROPRIETARY TO DROPOX, INC. THIS DOCUMENT IS FURNISHED ON THE UNDERSTANDING THAT THE DOCUMENT AND THE INFORMATION IT CONTAINS WILL NOT BE REPRODUCED OR DISCLOSED TO OTHERS WITHOUT THE WRITTEN CONSENT OF DROPOX, INC. OR USED FOR ANY PURPOSE OTHER THAN CONDUCTING BUSINESS WITH DROPOX, INC., AND WILL BE RETURNED AND ALL FURTHER USE DISCONTINUED UPON REQUEST BY DROPOX, INC. COPYRIGHT DROPOX, INC. FIRST YEAR COPYRIGHT IS FIRST YEAR INDICATED ON THIS DOCUMENT. ALL RIGHTS RESERVED.

A B C D E F G H I J K L M N O P Q R S T U V W X Y Z

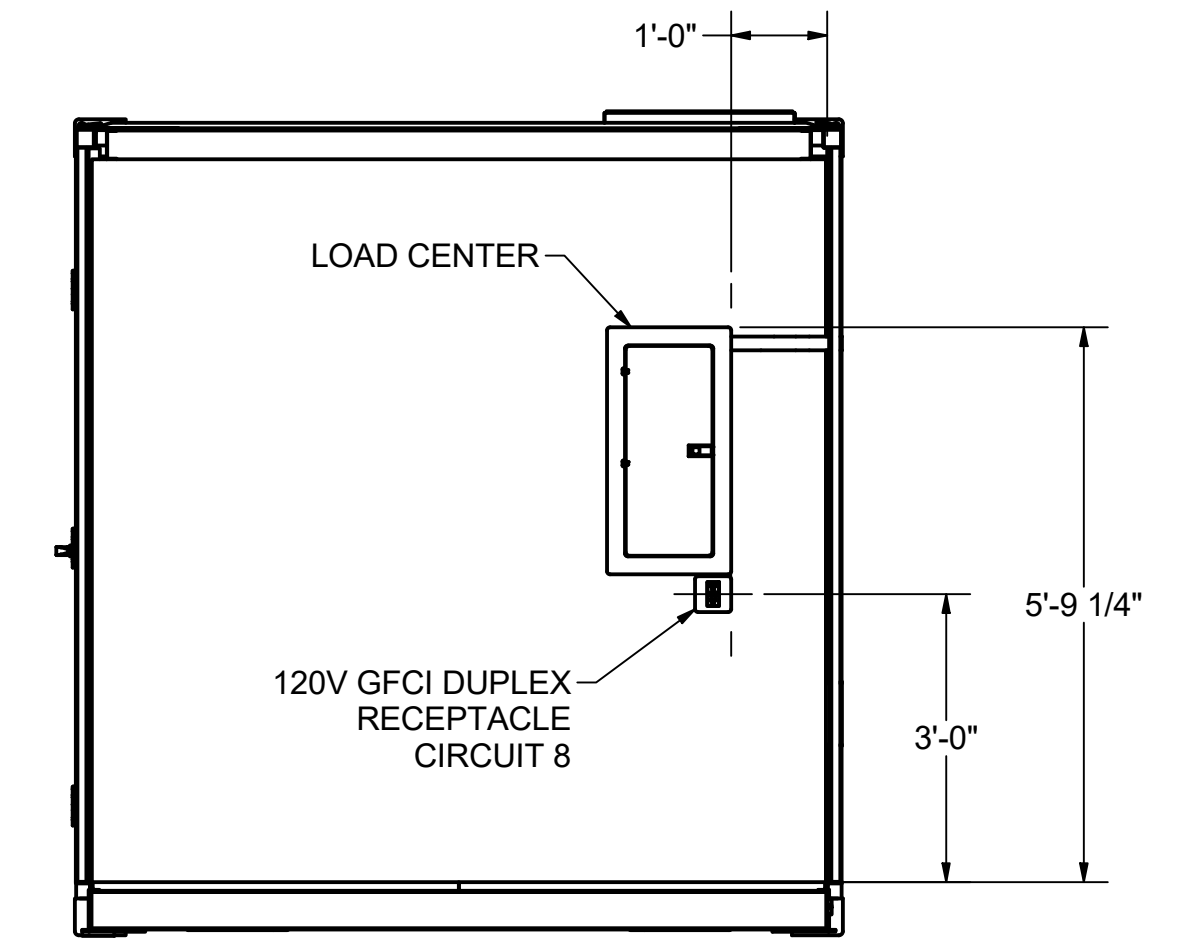
LOAD CENTER																							
SERVED FROM: CUSTOMER			AMPERE RATING: 150 A			VOLTAGE (L-L): 240			PHASE: 1			10 ,000 MINIMUM RMS											
ENCLOSURE RATING: NEMA 1			MAIN BREAKER: 150 A			VOLTAGE (L-N): 120			WIRE: 3			SYMMETRICAL AIC RATING											
MOUNTING: SURFACE			LUG OPTIONS: MAIN CIRCUIT BREAKER			LOCATION: UTILITY ROOM																	
CIR. NO.	LOAD DESCRIPTION	LOAD (KVA)					PHASE	G SIZE	CND IN.	BRKR RTG/P	BRKR RTG/P	PHASE	G SIZE	CND IN.	LOAD (KVA)					LOAD DESCRIPTION	CIR. NO.		
		LTG	H/C	MOT	REC	MISC									LTG	H/C	MOT	REC	MISC				
1	LIGHTING	0.21					12	12	MC	20/1	A												2
3	RECEPT (WALLS)				0.72		12	12	MC	20/1	B												4
5	RECEPT (LEFT COUNTER)				0.72		12	12	MC	20/1	A												6
7	RECEPT (LFT/CTR COUNTER)				0.72		12	12	MC	20/1	B												8
9	RECEPT (RGHT/CTR COUNTER)				0.72		12	12	MC	20/1	A												10
11	RECEPT (RIGHT COUNTER)				0.72		12	12	MC	20/1	B												12
13	RECEPT (HOOD)				0.18		12	12	MC	20/1	A												14
15	HOOD				1.50		12	12	MC	20/1	B												16
17	SPACE ONLY																						18
19	SPACE ONLY																						20
21	SPACE ONLY																						22
23	SPACE ONLY																						24

- PLAN NOTES:
- COORDINATE WITH INTERIOR FINISHES SHEETS FOR ELEVATIONS OF WIRING DEVICES. HORIZONTAL DIMENSIONS CAN BE ADJUSTED UP TO 2" TO ACCOMMODATE STUD LOCATIONS.
 - UTILIZE MC CABLE FOR ALL RECESSED POWER WIRING IN LAB.
 - UTILIZE EMT CONDUIT FOR ALL EXPOSED POWER CONDUIT IN UTILITY ROOM.

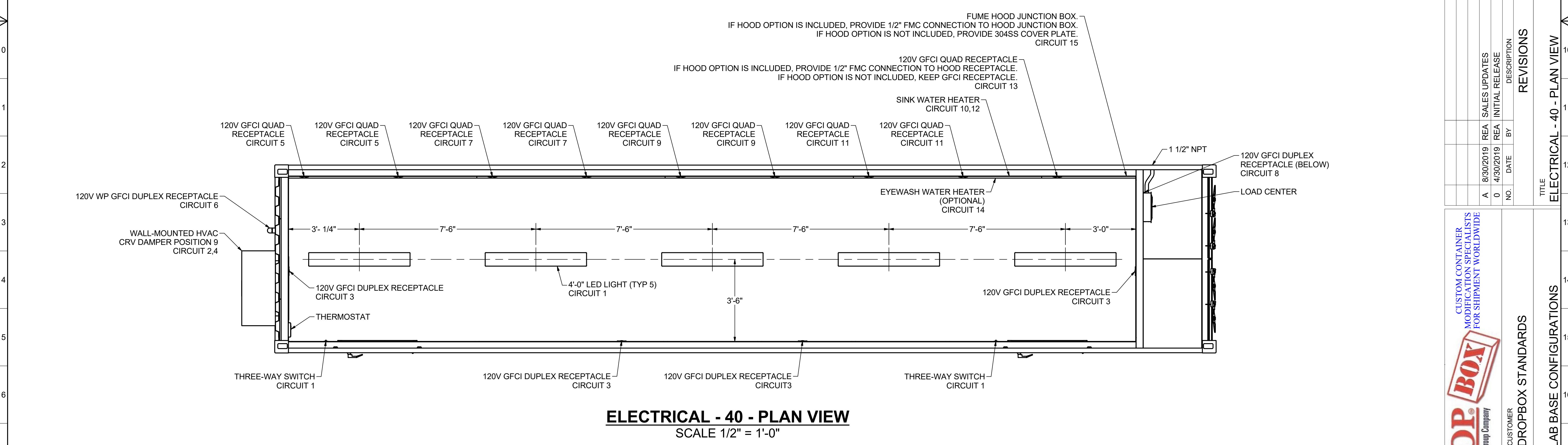
PANELBOARD NOTES: (1) OPTIONAL PER PO	LOAD TOTALS (KVA):		CONNECTED	DEMAND	LOAD BALANCE	
	LIGHTING/CONTINUOUS	HEATING/COOLING			KVA	AMPS
	0.21	13.92	0.21	0.26	13.62	114 PHASE A
	0.00	0.00	0.00	0.00	13.05	109 PHASE B
	4.14	4.14	4.14	4.14		
	8.40	8.40	8.40	8.40	0.57	2 MAX. UNBALANCED

LARGEST MOTOR (KVA):	0.00
----------------------	------

26.72	TOTAL DEMAND KVA
111	TOTAL DEMAND AMPS



UTILITY ROOM
SCALE 1/2" = 1'-0"



ELECTRICAL - 40 - PLAN VIEW
SCALE 1/2" = 1'-0"

THIRD ANGLE PROJECTION	SHEET SIZE
	ANSI D

THIS DOCUMENT CONTAINS INFORMATION THAT IS CONFIDENTIAL AND PROPRIETARY TO DROPBOX, INC. THIS DOCUMENT IS FURNISHED ON THE UNDERSTANDING THAT THE DOCUMENT AND THE INFORMATION IT CONTAINS WILL NOT BE REPRODUCED OR DISCLOSED TO OTHERS WITHOUT THE WRITTEN CONSENT OF DROPBOX, INC. OR USED FOR ANY PURPOSE OTHER THAN CONDUCTING BUSINESS WITH DROPBOX, INC., AND WILL BE RETURNED AND ALL FURTHER USE DISCONTINUED UPON REQUEST BY DROPBOX, INC. COPYRIGHT DROPBOX, INC. FIRST YEAR COPYRIGHT IS FIRST YEAR INDICATED ON THIS DOCUMENT. ALL RIGHTS RESERVED.

REVISIONS

NO.	DATE	BY	DESCRIPTION
1	8/30/2019	REA	SALES UPDATES
0	4/30/2019	REA	INITIAL RELEASE

TOLERANCES ON ALL DIMENSIONS UNLESS OTHERWISE NOTED SHALL BE:
ONE PLACE DECIMAL ± 0.03
TWO PLACE DECIMAL ± 0.005
THREE PLACE DECIMAL ± 0.0005
ANGULAR ± 1°

FINISHES:
BREAK ALL SHARP EDGES UNLESS OTHERWISE SPECIFIED.

SCALE: 1/2" = 1'-0"

DRAWING #: D19-040-MLBX-E040

TITLE: ELECTRICAL - 40 - PLAN VIEW

PROJECT: MODULAR LAB BASE CONFIGURATIONS

CUSTOMER: DROPBOX STANDARDS

PROJECT #: D19-040

PROJECT: MODULAR LAB BASE CONFIGURATIONS

LOGO: DROPBOX A Portable Solutions Group Company

NOTES: CUSTOMER CONTAINER MODIFICATION SPECIALISTS FOR SHIPMENT WORLDWIDE